

# SYSTEM WIRING DIAGRAMS

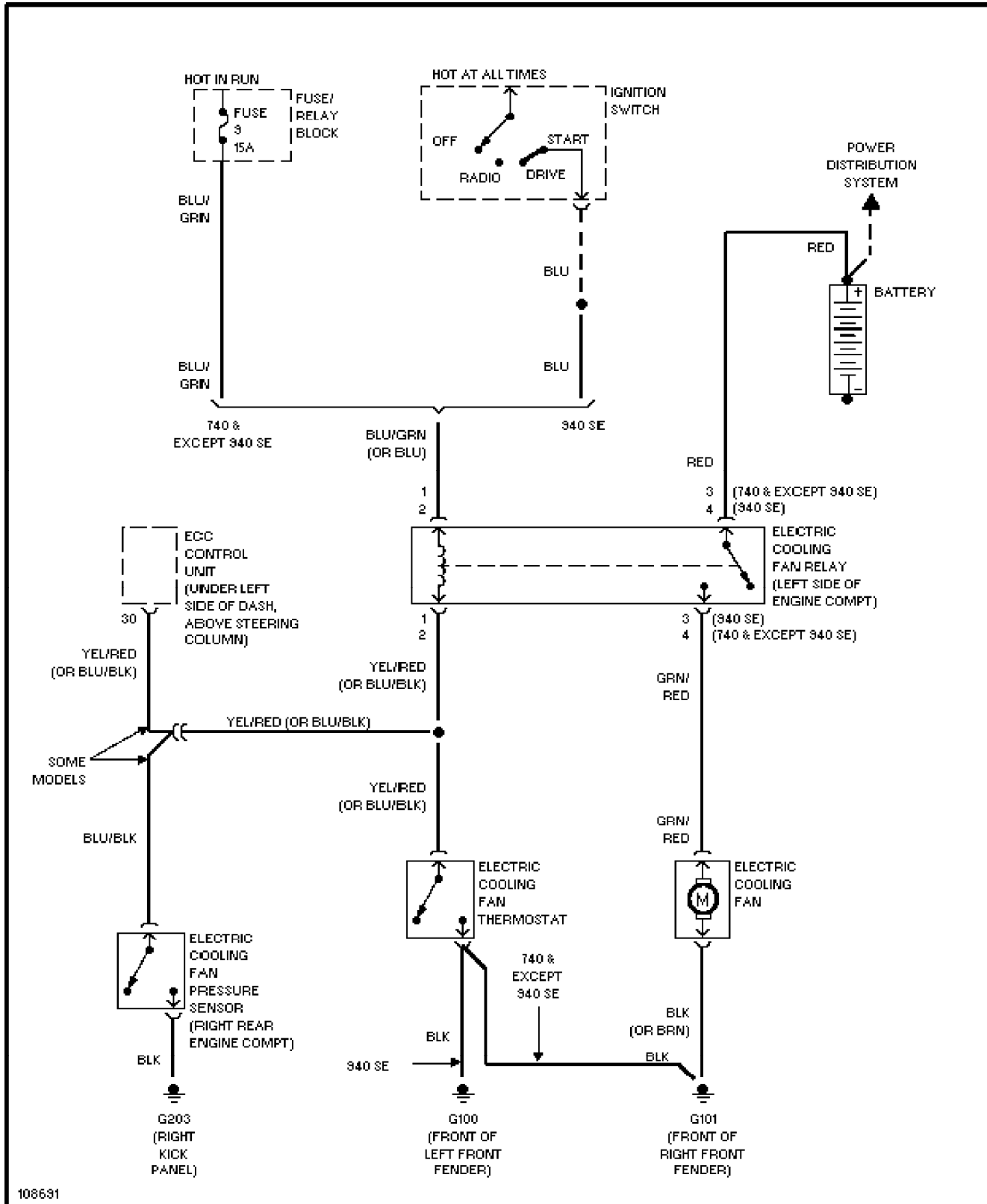
## Cooling Fan Circuit

1991 Volvo 740

For x

Copyright © 1998 Mitchell Repair Information Company, LLC

Friday, July 23, 2004 10:11PM



# SYSTEM WIRING DIAGRAMS

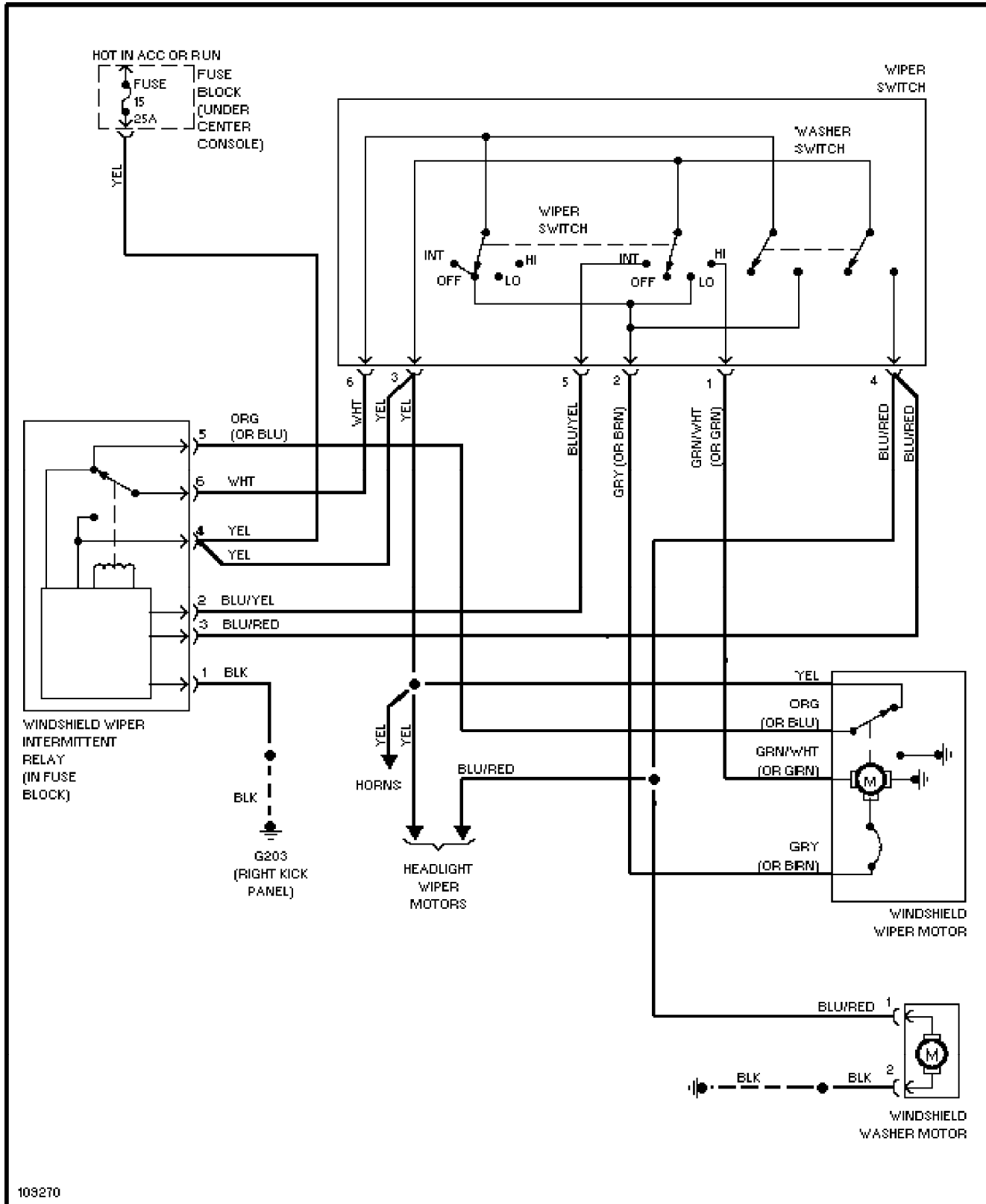
## Front Wiper/Washer Circuit

1991 Volvo 740

For x

Copyright © 1998 Mitchell Repair Information Company, LLC

Friday, July 23, 2004 10:13PM

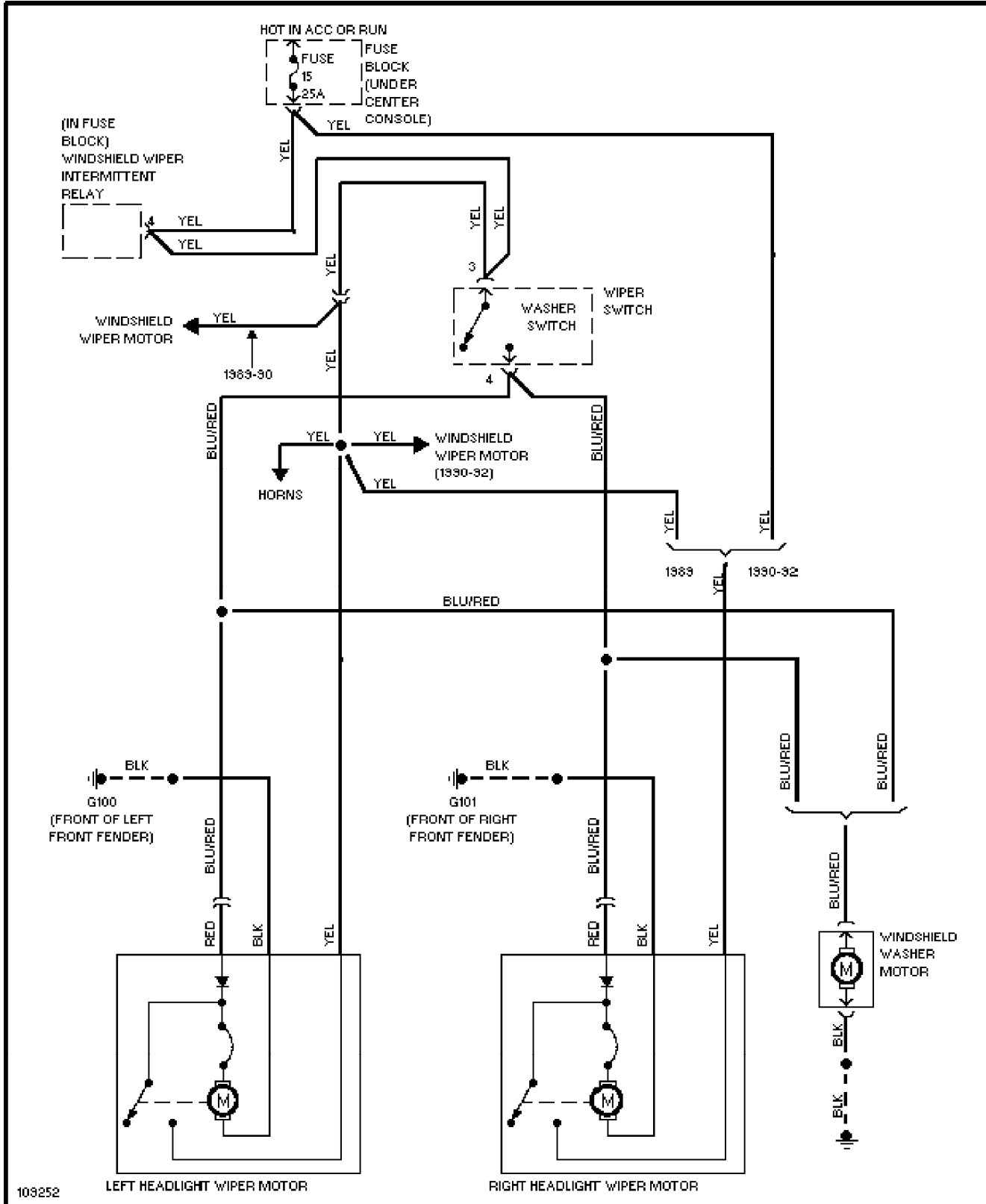


# SYSTEM WIRING DIAGRAMS

## Headlamp Wiper/Washer Circuit

1991 Volvo 740

For x  
 Copyright © 1998 Mitchell Repair Information Company, LLC  
 Friday, July 23, 2004 10:13PM



# SYSTEM WIRING DIAGRAMS

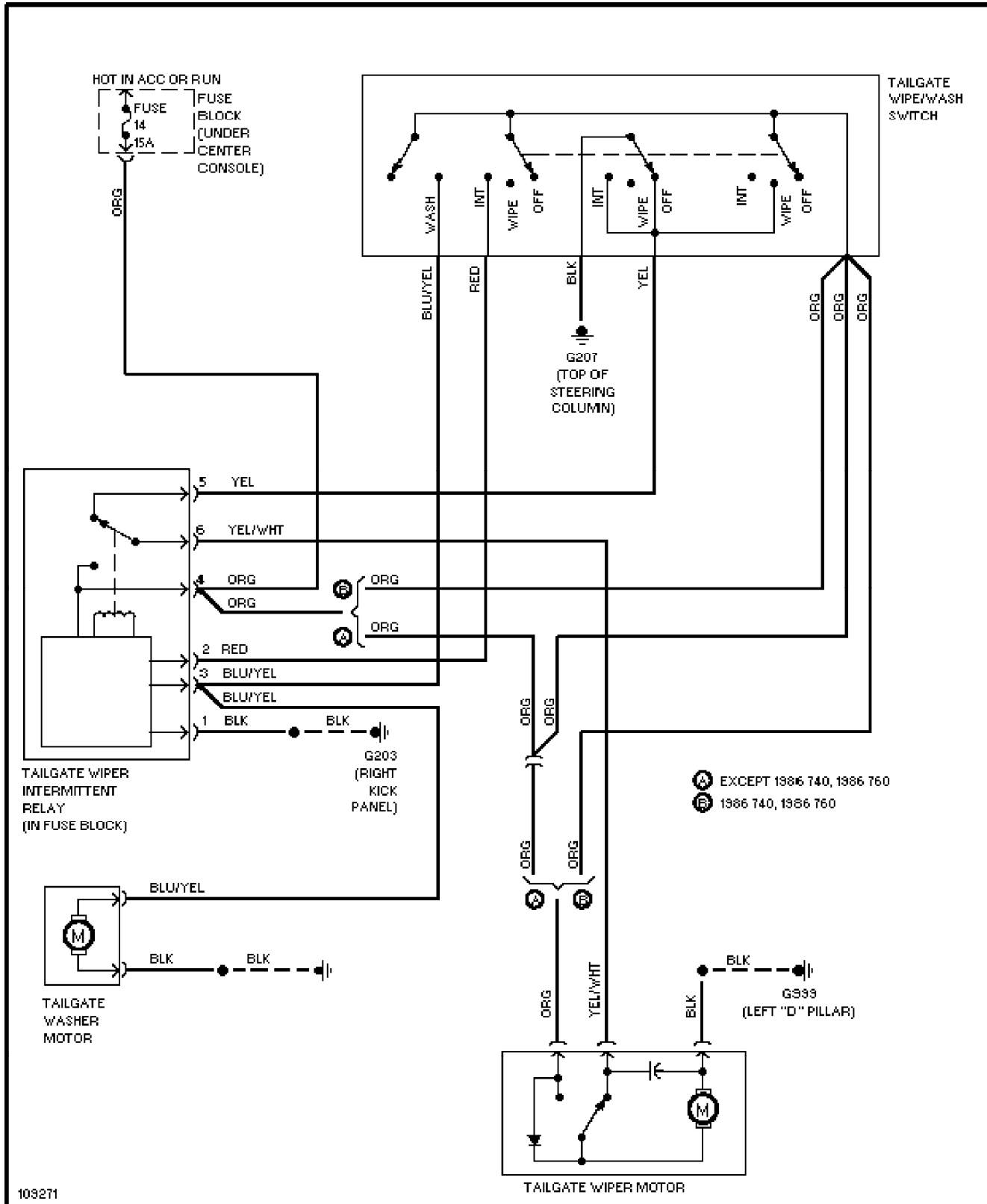
## Rear Wiper/Washer Circuit

1991 Volvo 740

For x

Copyright © 1998 Mitchell Repair Information Company, LLC

Friday, July 23, 2004 10:13PM



# SYSTEM WIRING DIAGRAMS

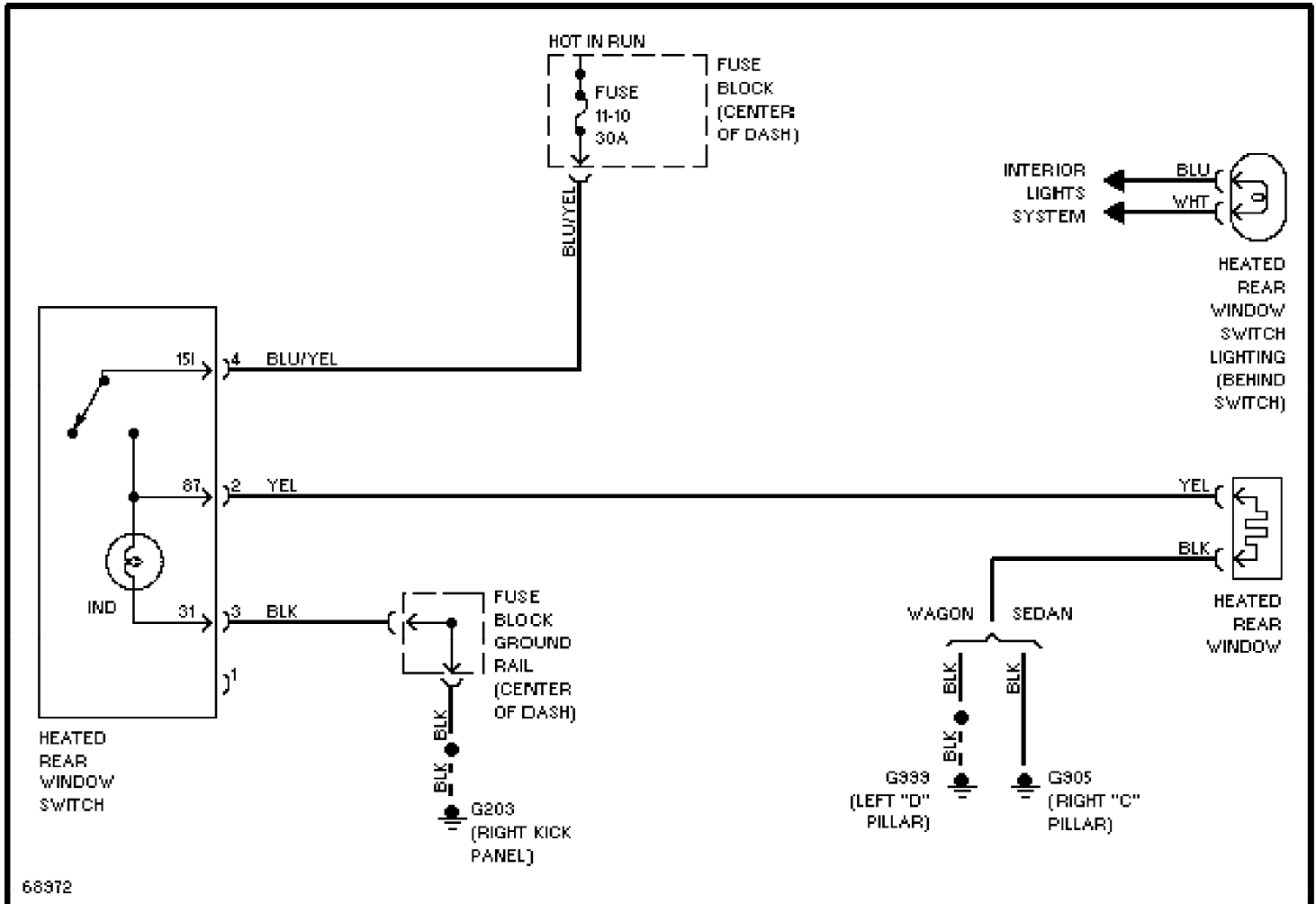
## Defogger Circuit

1991 Volvo 740

For x

Copyright © 1998 Mitchell Repair Information Company, LLC

Friday, July 23, 2004 10:12PM



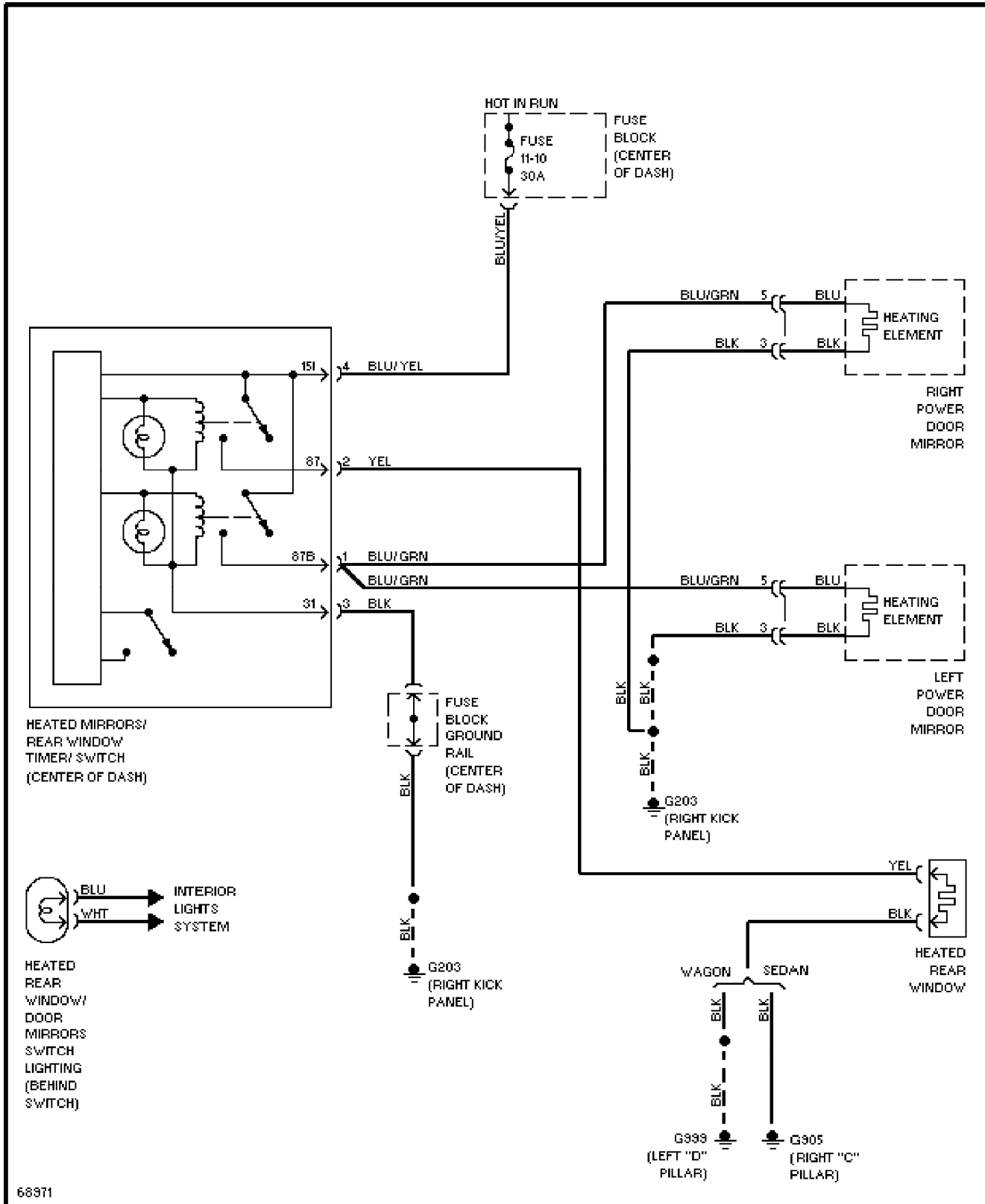
# SYSTEM WIRING DIAGRAMS

## Rear Defogger & Heated Mirrors Circuit

1991 Volvo 740

For x

Copyright © 1998 Mitchell Repair Information Company, LLC  
 Friday, July 23, 2004 10:12PM



# SYSTEM WIRING DIAGRAMS

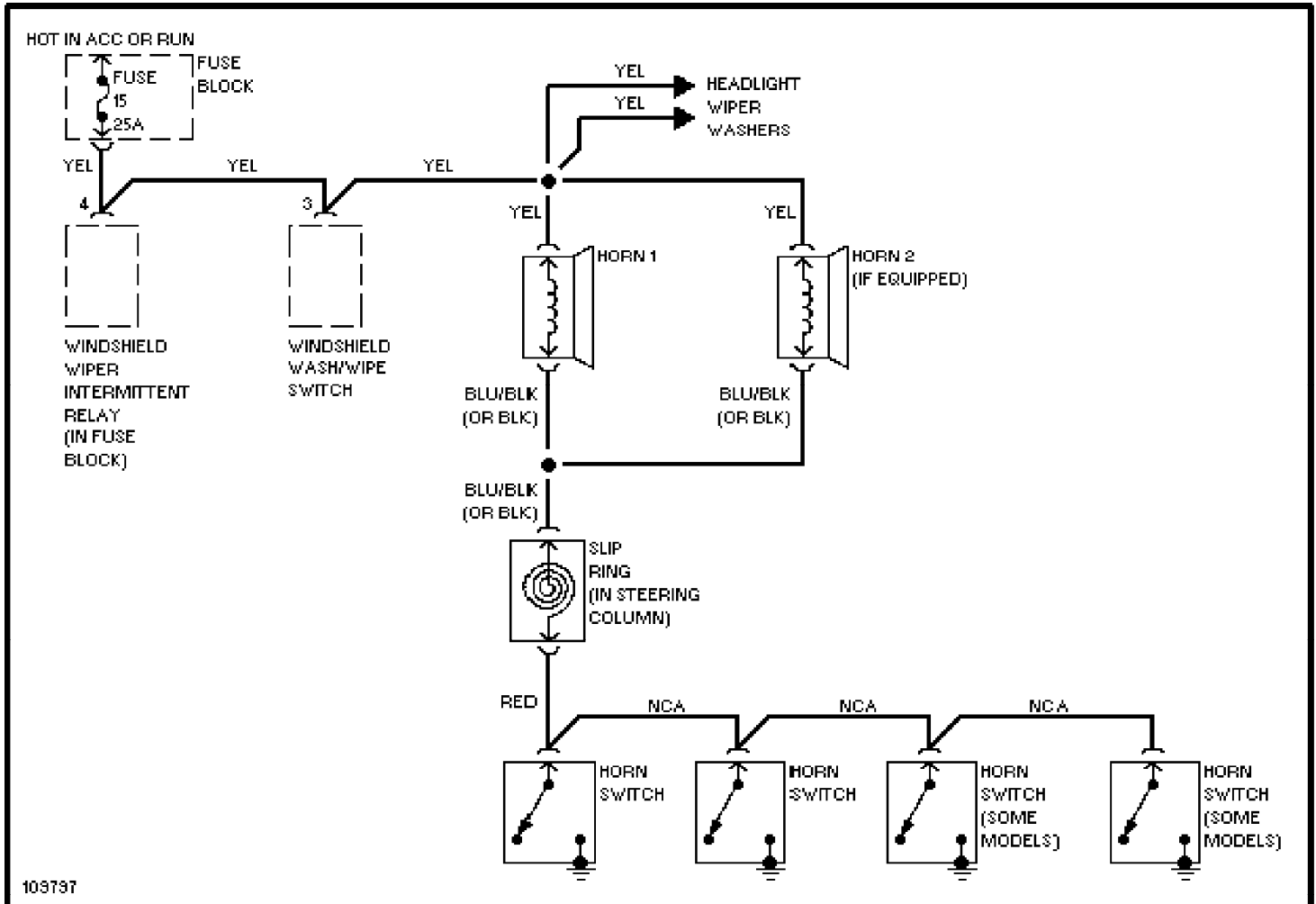
## Horn Circuit

1991 Volvo 740

For x

Copyright © 1998 Mitchell Repair Information Company, LLC

Friday, July 23, 2004 10:12PM



# SYSTEM WIRING DIAGRAMS

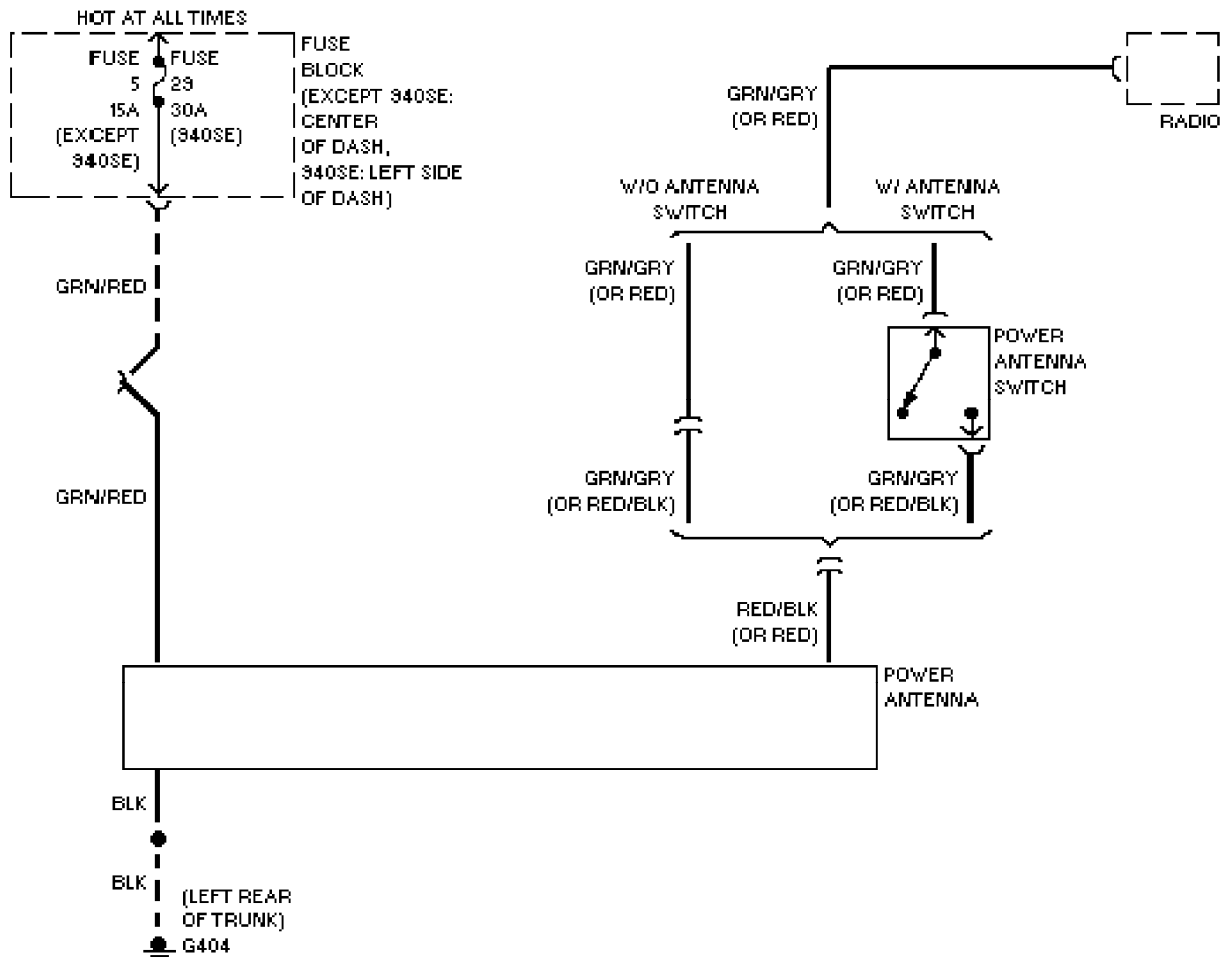
## Power Antenna Circuit

1991 Volvo 740

For x

Copyright © 1998 Mitchell Repair Information Company, LLC

Friday, July 23, 2004 10:12PM





# SYSTEM WIRING DIAGRAMS

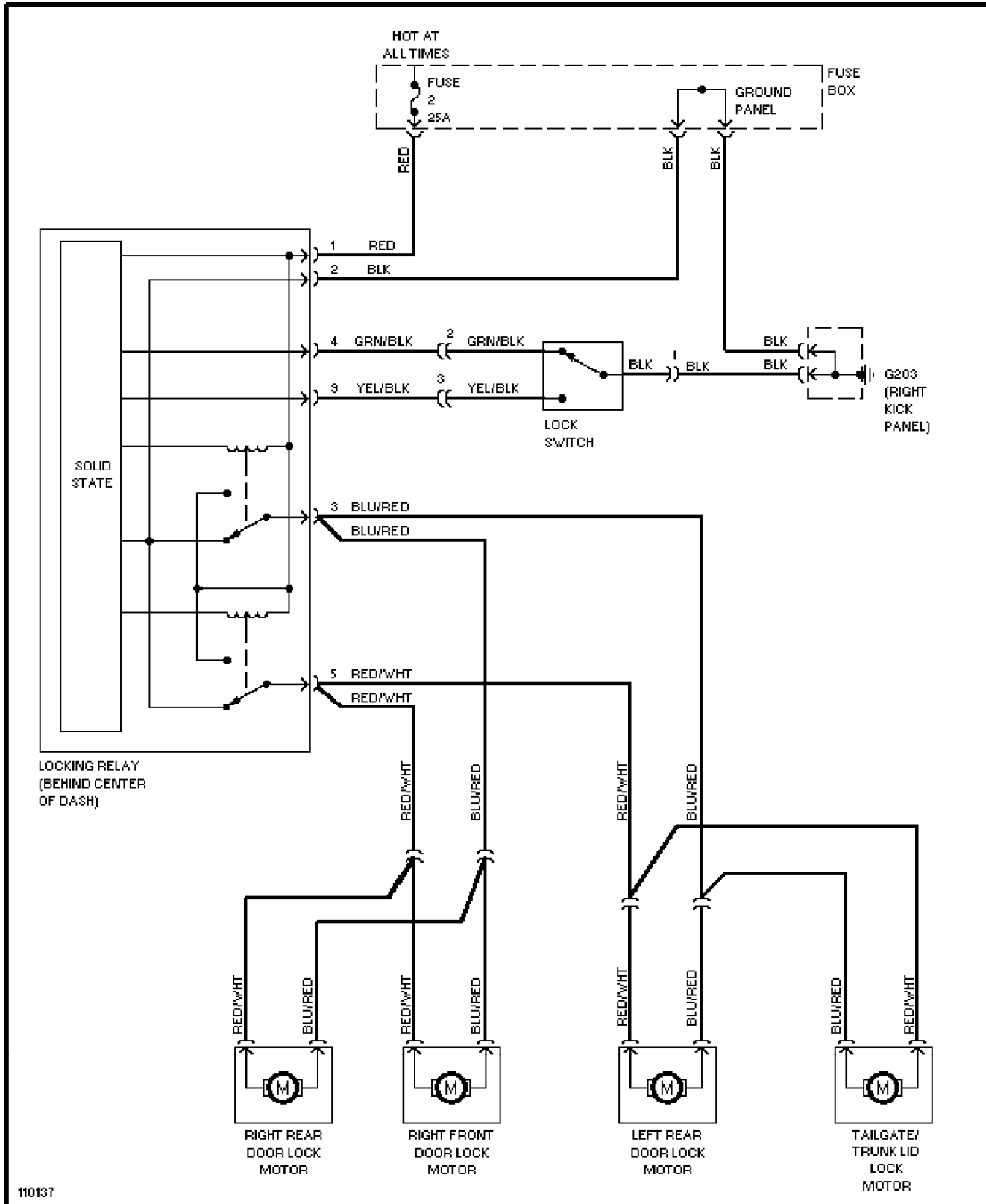
## Power Door Lock Circuit

1991 Volvo 740

For x

Copyright © 1998 Mitchell Repair Information Company, LLC

Friday, July 23, 2004 10:12PM



# SYSTEM WIRING DIAGRAMS

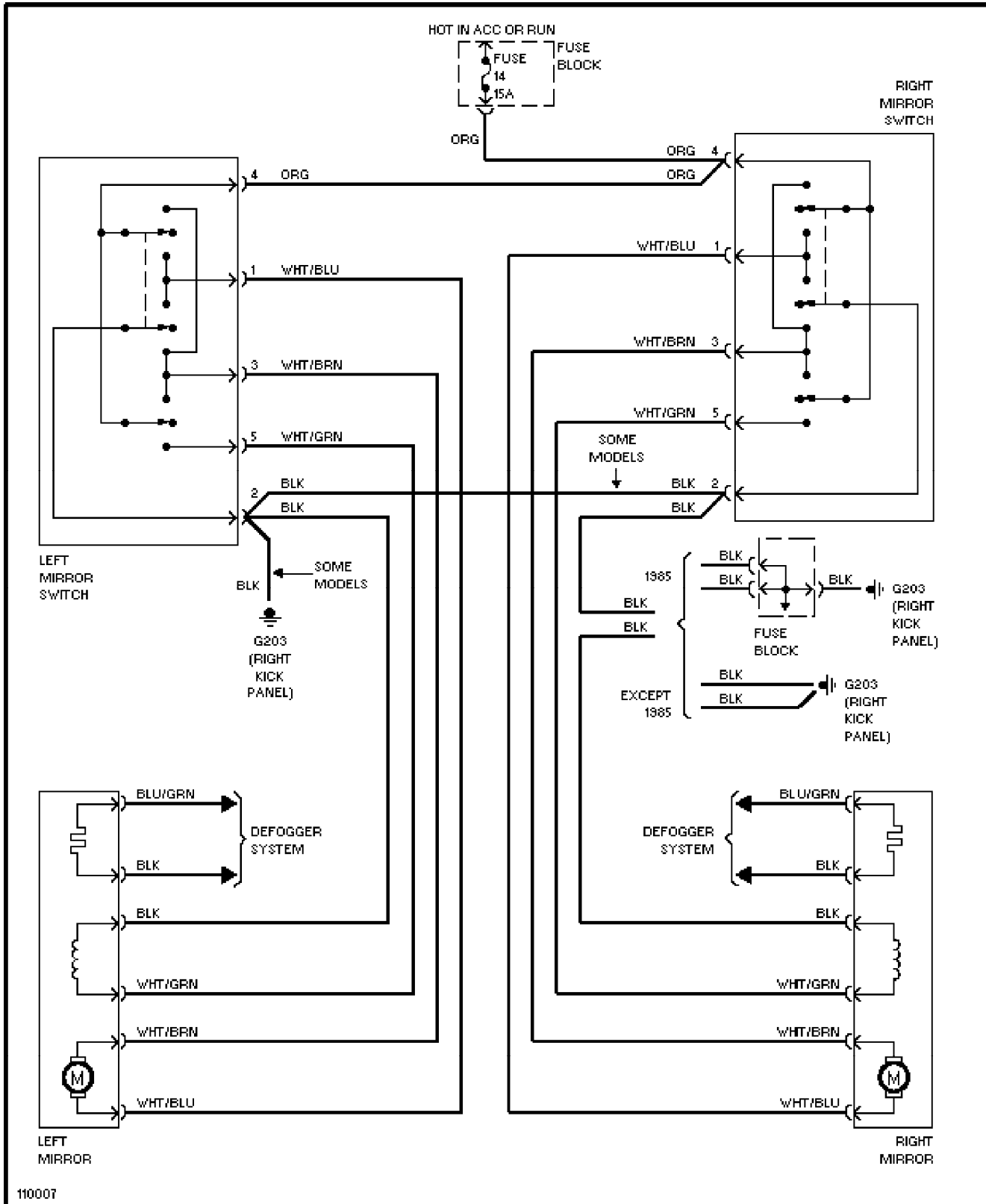
## Power Mirror Circuit

1991 Volvo 740

For x

Copyright © 1998 Mitchell Repair Information Company, LLC

Friday, July 23, 2004 10:12PM



# SYSTEM WIRING DIAGRAMS

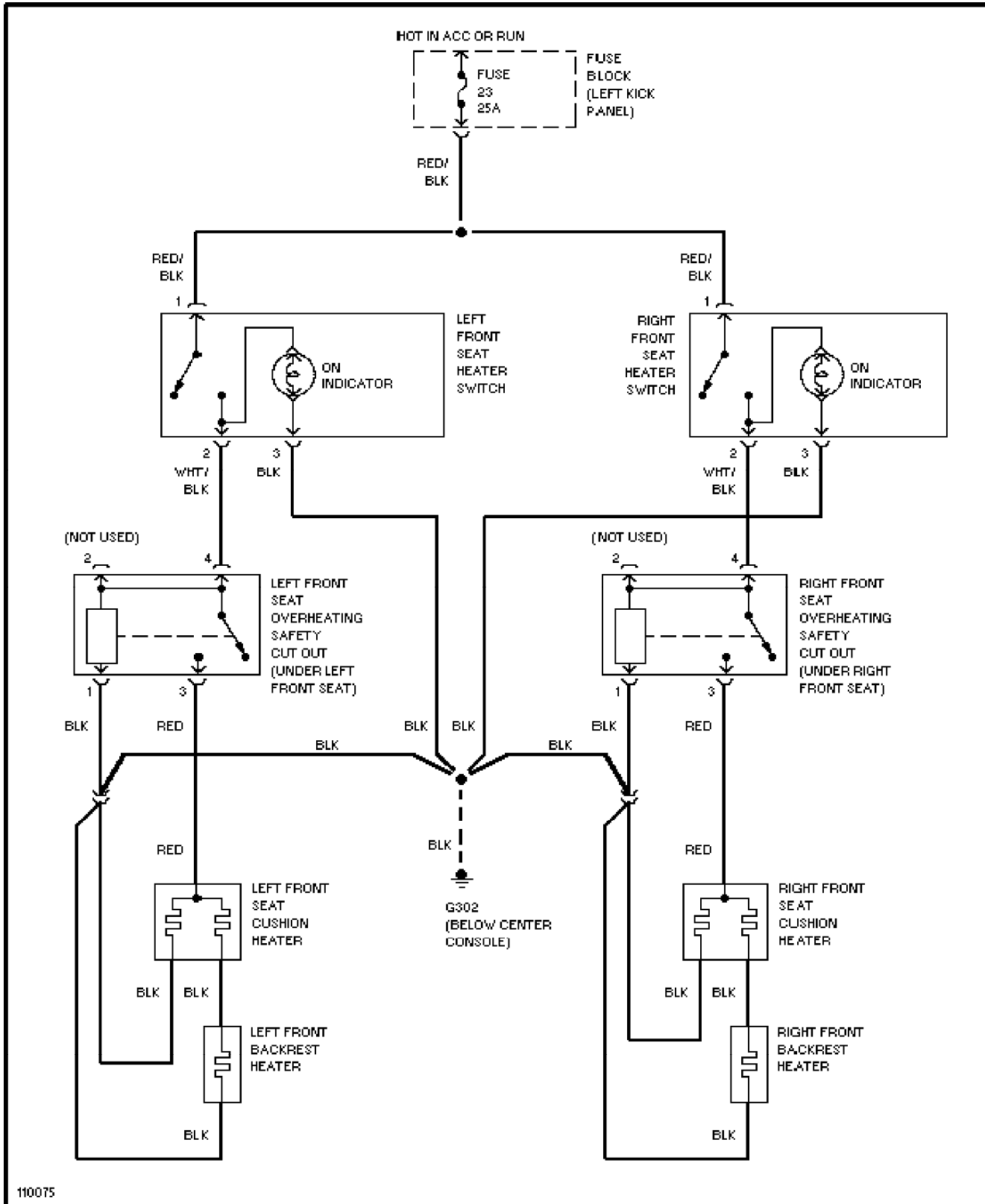
## Heated Seats Circuit, High Output

1991 Volvo 740

For x

Copyright © 1998 Mitchell Repair Information Company, LLC

Friday, July 23, 2004 10:12PM



# SYSTEM WIRING DIAGRAMS

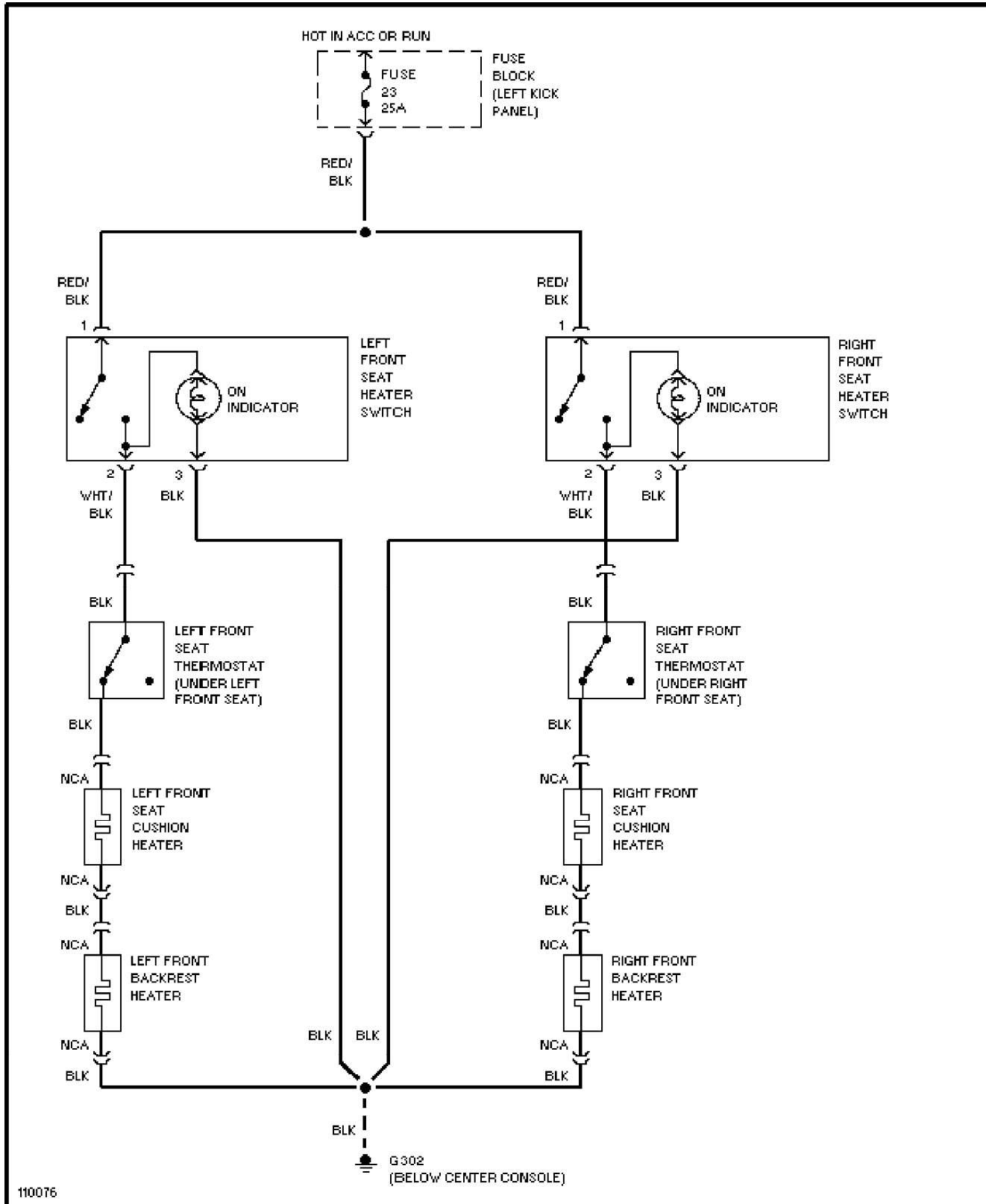
## Heated Seats Circuit, Normal Output

1991 Volvo 740

For x

Copyright © 1998 Mitchell Repair Information Company, LLC

Friday, July 23, 2004 10:12PM



# SYSTEM WIRING DIAGRAMS

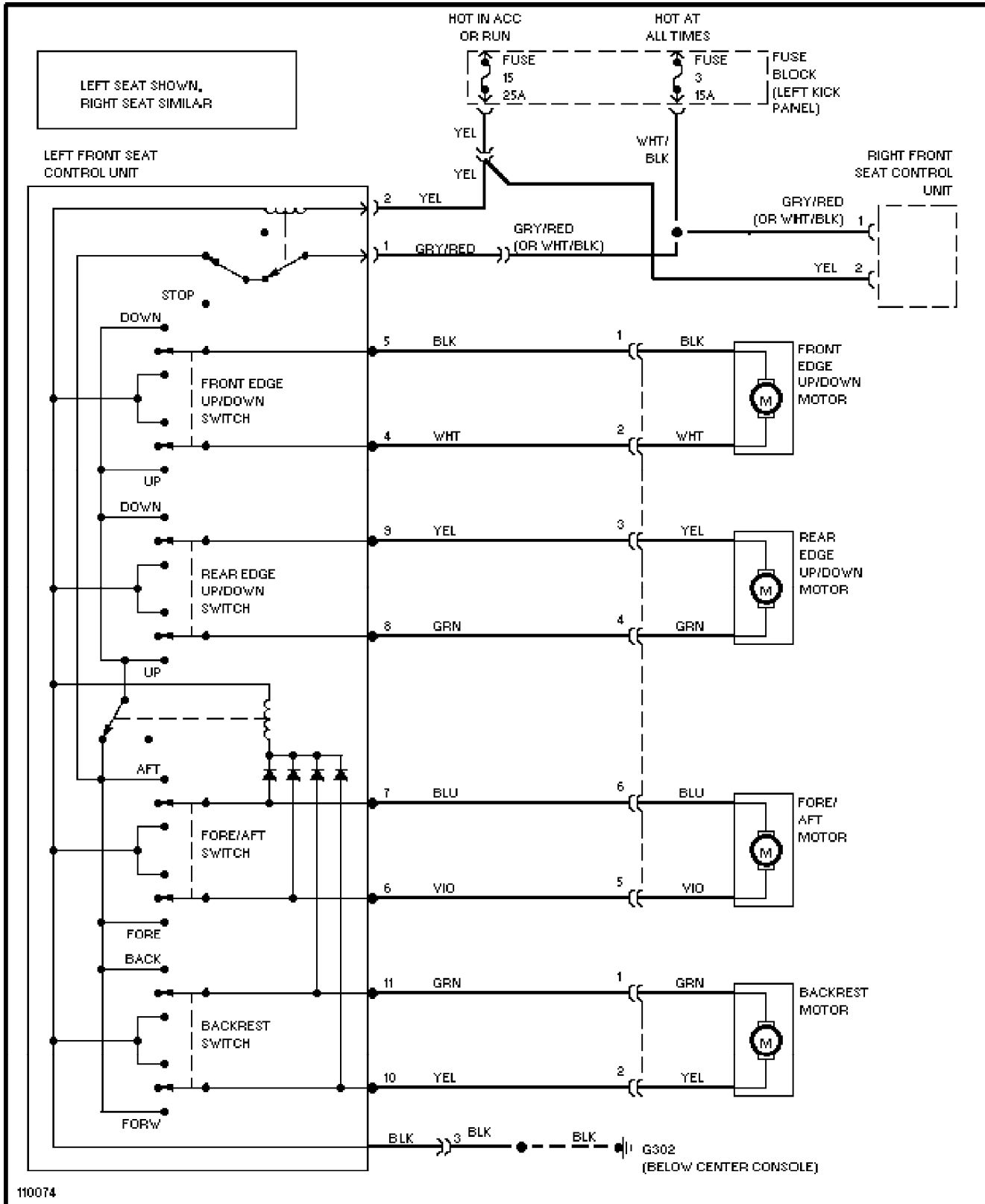
## Power Seats Circuit

1991 Volvo 740

For x

Copyright © 1998 Mitchell Repair Information Company, LLC

Friday, July 23, 2004 10:12PM



# SYSTEM WIRING DIAGRAMS

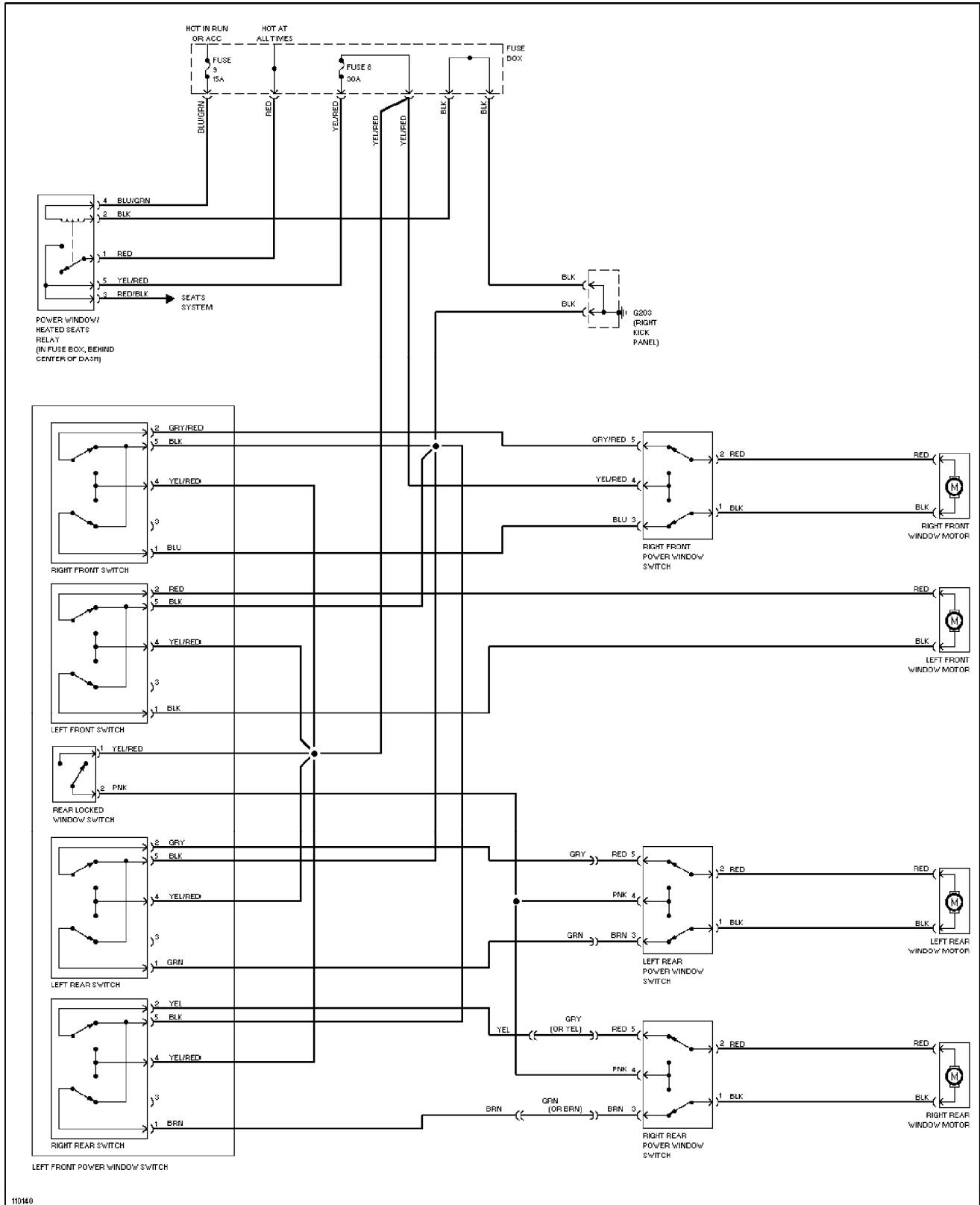
## Power Window Circuit

1991 Volvo 740

For x

Copyright © 1998 Mitchell Repair Information Company, LLC

Friday, July 23, 2004 10:12PM



# SYSTEM WIRING DIAGRAMS

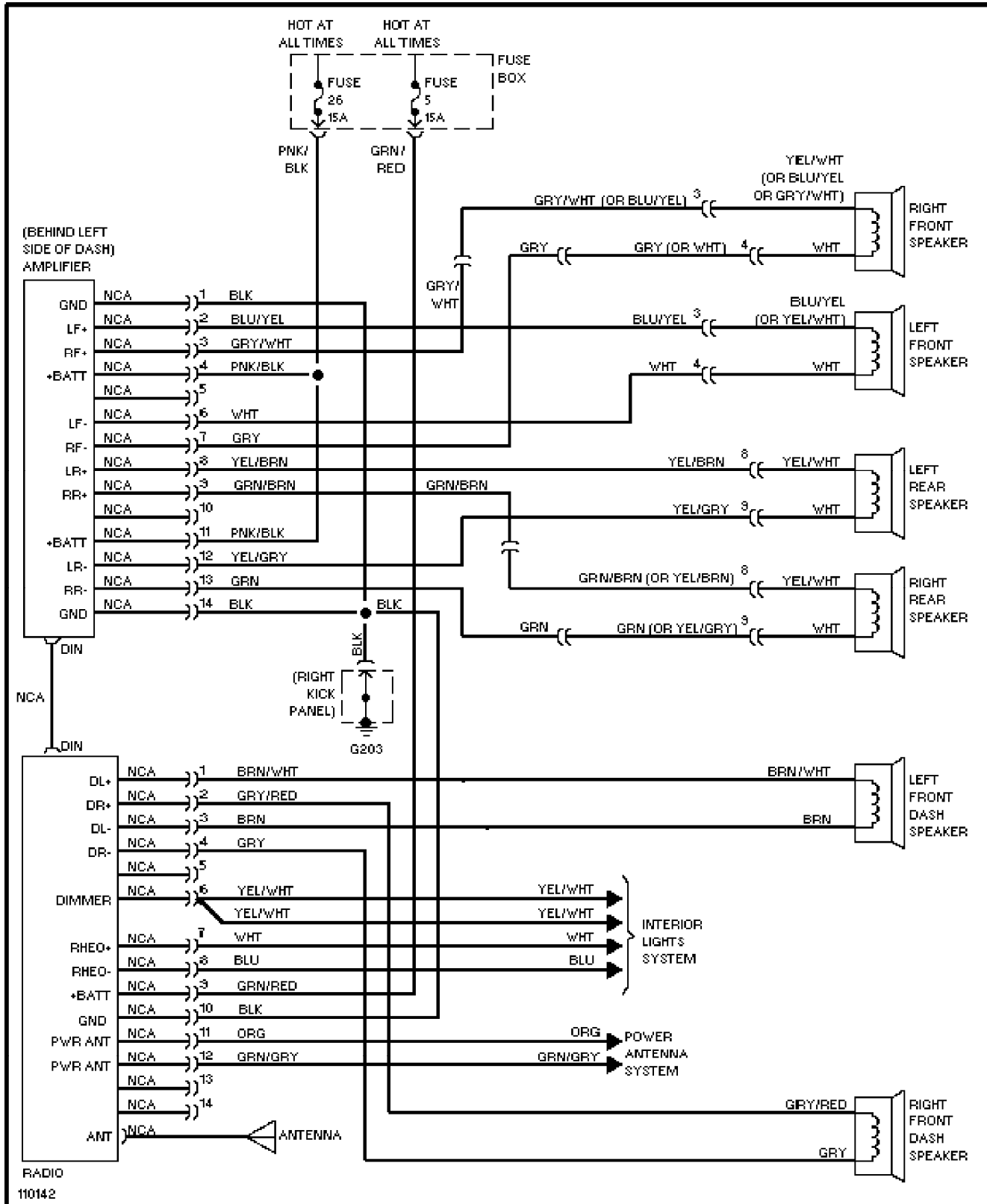
## Radio Circuits

1991 Volvo 740

For x

Copyright © 1998 Mitchell Repair Information Company, LLC

Friday, July 23, 2004 10:12PM



# SYSTEM WIRING DIAGRAMS

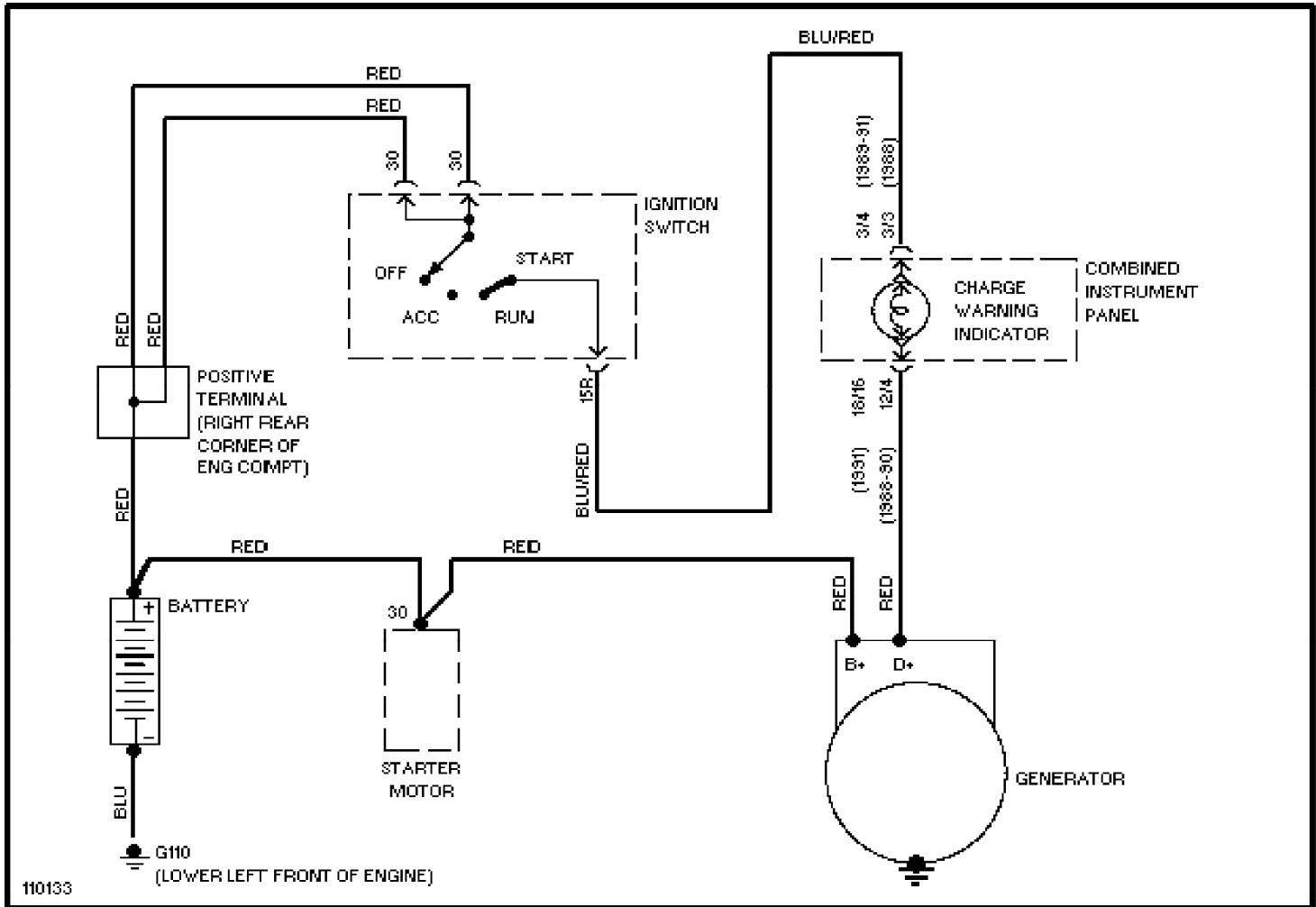
## Charging Circuit

1991 Volvo 740

For x

Copyright © 1998 Mitchell Repair Information Company, LLC

Friday, July 23, 2004 10:13PM





# SYSTEM WIRING DIAGRAMS

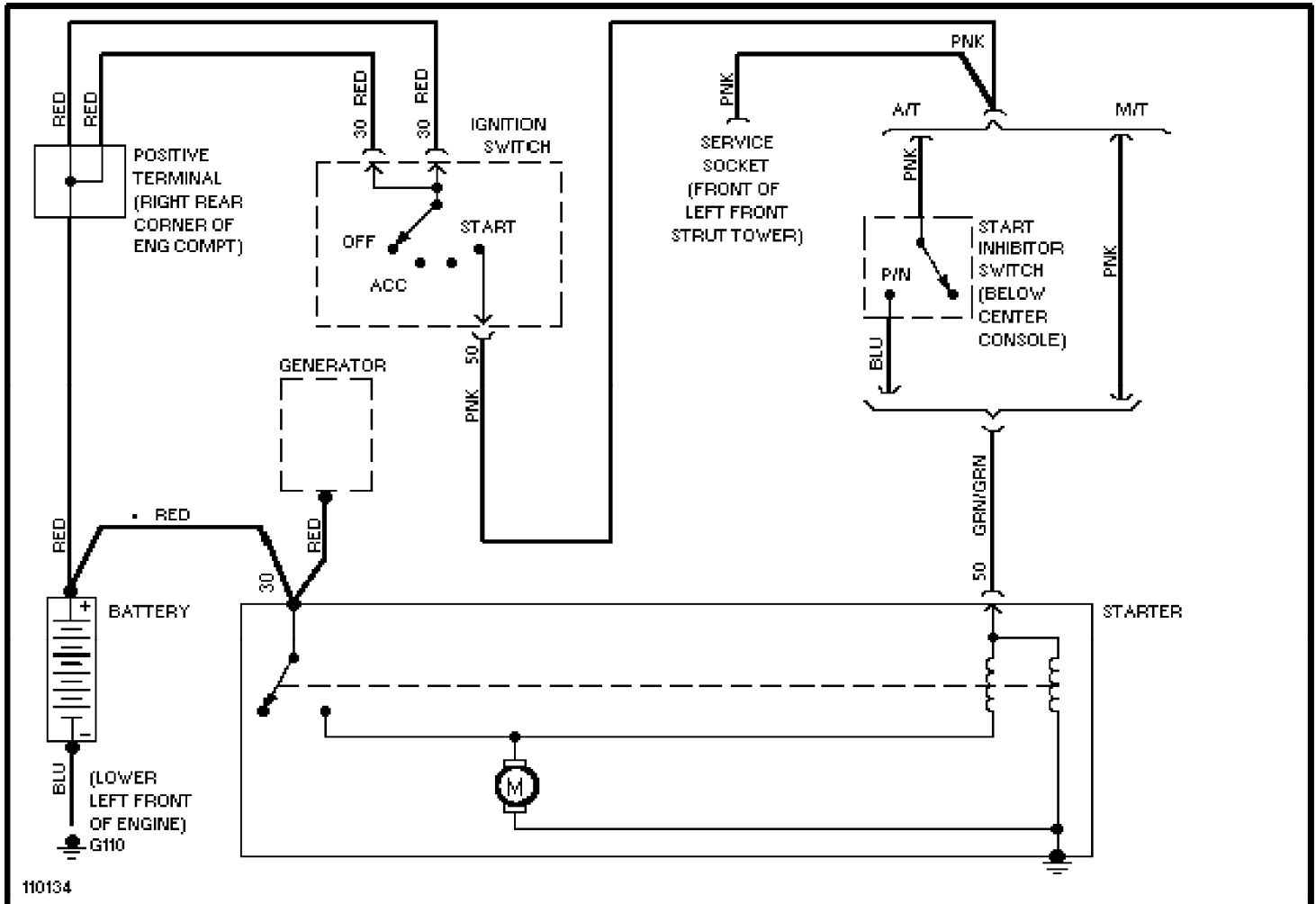
## Starting Circuit

1991 Volvo 740

For x

Copyright © 1998 Mitchell Repair Information Company, LLC

Friday, July 23, 2004 10:13PM



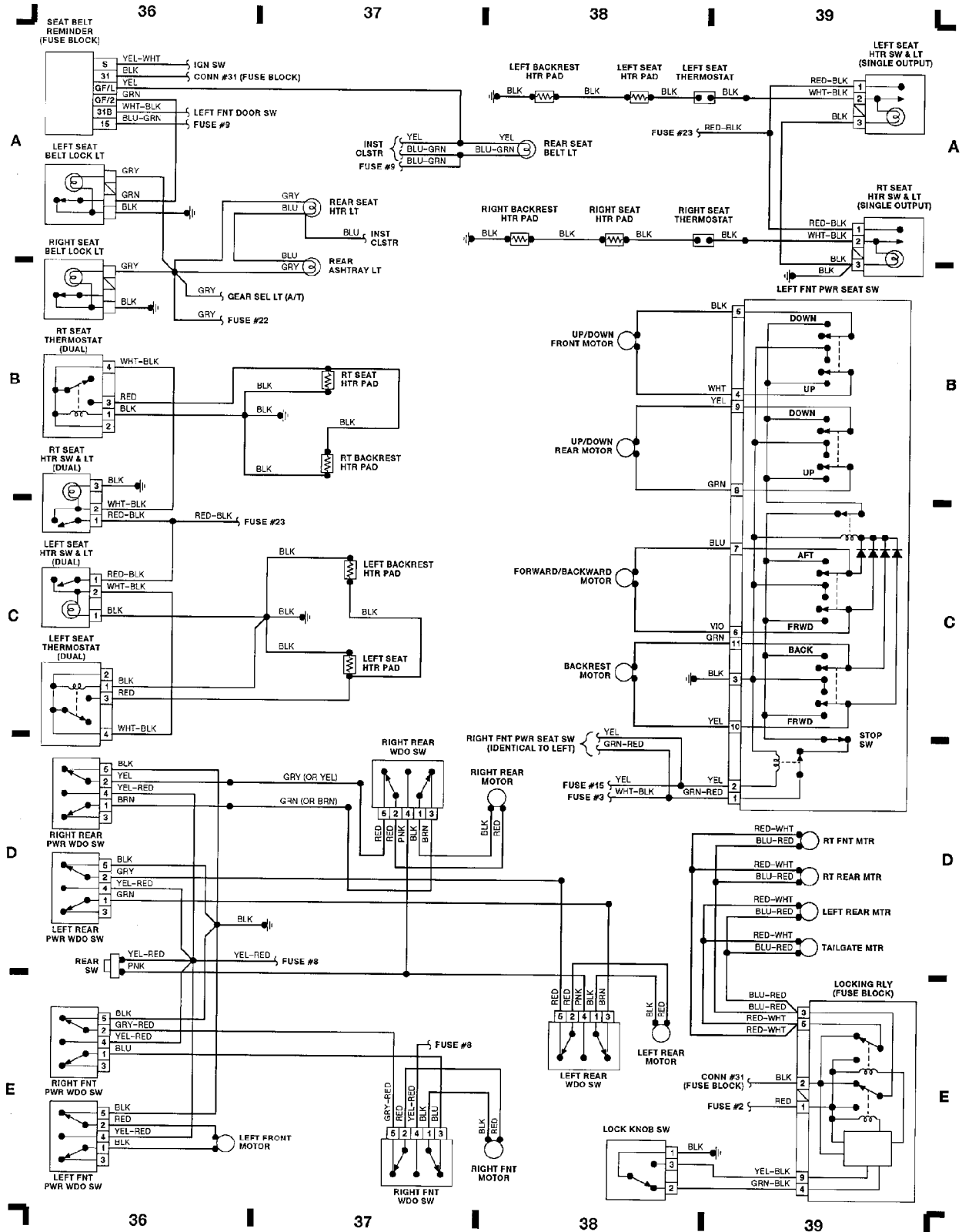
# WIRING DIAGRAMS

## Fig. 10: Pwr Windows/Heated Seats (Grid 36-39)

1991 Volvo 740

For x

Copyright © 1998 Mitchell Repair Information Company, LLC  
Friday, July 23, 2004 10:15PM



# WIRING DIAGRAMS

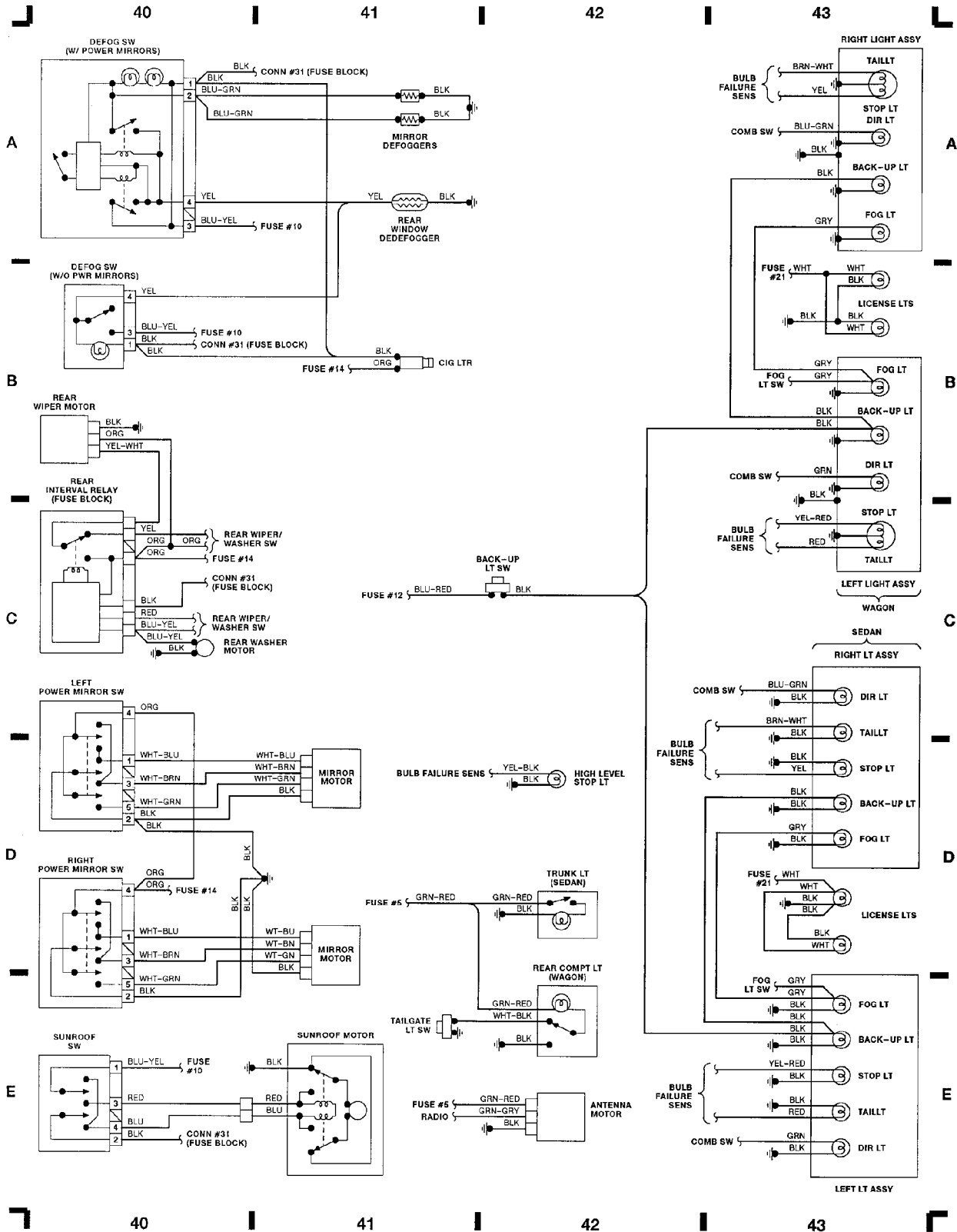
## Fig. 11: Power Mirror, Defog Sw, Taillights (Grids 40-43)

1991 Volvo 740

For x

Copyright © 1998 Mitchell Repair Information Company, LLC

Friday, July 23, 2004 10:15PM



# WIRING DIAGRAMS

## Fig. 1: Engine Compartment, Fuses & Headlights (Grids 1-3)

1991 Volvo 740

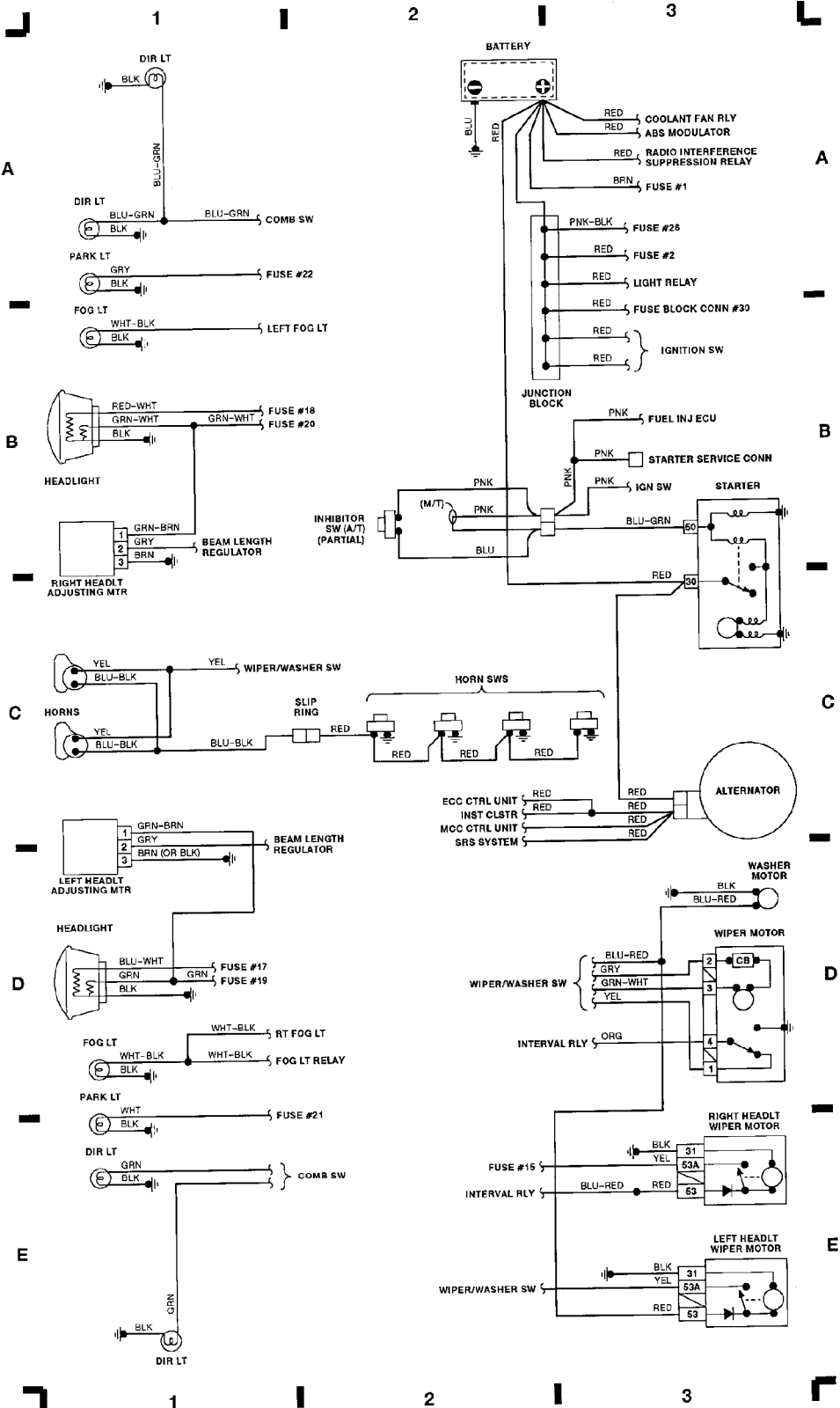
For x

Copyright © 1998 Mitchell Repair Information Company, LLC

Friday, July 23, 2004 10:15PM

### COMPONENT LOCATOR:

ABS CTRL UNIT	.....	A 29-30
ABS MODULATOR	.....	A-C 31
ALTERNATOR	.....	C 3
BACK-UP LT SW	.....	C 42
BATTERY	.....	A 2
BEAM LENGTH REGULATOR	.....	A 19
BULB FAILURE SENS	.....	E 24
CB LTR	.....	B 41
COMB SW	.....	A-C 24
COOLANT FAN RELAY	.....	A 18-18
COURTESY LTS	.....	C 24
CRUISE CTRL SYS	.....	C-J 29-30
DEFOG SYS	.....	A-B 40-41
DOOR LTS	.....	D 24
ECC CTRL UNIT	.....	C-E 23
ECC POWER UNIT	.....	E 20
FLASHER RELAY	.....	A 27
FOG LT RELAY	.....	E 28
FOG LT SW	.....	C-E 28
FUEL INJ ECU (CALIF)	.....	A-C 4
FUEL INJ ECU (REGINA)	.....	A-C 12
FUEL INJ ECU (TURBO)	.....	A-B 8
FUEL PUMP (IN TANK) (CALIF)	.....	D 4
FUEL PUMP (IN TANK) (TURBO)	.....	C 11
FUEL PUMP (MAIN) (CALIF)	.....	D 12
FUEL PUMP (MAIN) (TURBO)	.....	C 11
FUEL PUMP (REGINA)	.....	D 12
FUEL SYS RELAY (CALIF)	.....	C 4
FUEL SYS RELAY (REGINA)	.....	C 12
FUEL SYS RELAY (TURBO)	.....	B 11
FUSE/RELAY BLOCK (PARTIAL)	.....	B-D 16-19
GEAR SEL LT	.....	C 35
GLOVE BOX LT	.....	D 4
HEATER CTRL SW	.....	C 20
HIGH LEVEL STOP LT	.....	D 42
HORN & HORN SWS	.....	E 6
IGN COIL (CALIF)	.....	E 15
IGN COIL (REGINA)	.....	C 8
IGN COIL (TURBO)	.....	E 16
IGN SW	.....	C-D 7
IGN SYS ECU (CALIF)	.....	C-D 15
IGN SYS ECU (REGINA)	.....	D-E 8
IGN SYS ECU (TURBO)	.....	D-E 8
INHIBITOR SW (M/T)	.....	C 2
INST CLSTR	.....	A-E 32-33
INST PANEL LTS	.....	E 35
INTERVAL RELAY	.....	D 27
JUNCTION BLOCK	.....	A-B 2-3
LEFT FRONT DOOR SW	.....	C 26
LEFT HEADLT ADJUSTING MTR	.....	C-D 1
LEFT HEADLT WIPER MOTOR	.....	E 3
LIGHT RELAY	.....	B-C 27
LIGHT SW	.....	A-B 27
LOCKING RELAY	.....	D-E 30-39
MCC CTRL UNIT	.....	B-C 23
O/D RELAY (A/T)	.....	B 20
O/D RELAY (M/T)	.....	A 20
O2 SENS (CALIF)	.....	C 7
O2 SENS (REGINA)	.....	C 15
POWER ANTENNA MOTOR	.....	E 42
POWER MIRROR SYS	.....	C-E 40-41
POWER SEAT SW	.....	B-D 36-39
POWER WINDOW SYS	.....	D-E 36-39
POWER WINDOW/HEATED SEAT RELAY	.....	C 29
RADIO INTERFERENCE SUPPRESSION RELAY (CALIF)	.....	B 7
RADIO INTERFERENCE SUPPRESSION RELAY (TURBO)	.....	D 11
REAR INTERVAL RELAY	.....	C 40
REAR WIPER/WASHER SW	.....	D-E 27
RHEOSTAT & CLOCK ADJUSTER	.....	C-D 35
RIGHT HEADLT ADJUSTING MOTOR	.....	B 1
RIGHT HEADLT WIPER MOTOR	.....	E 3
SEAT BELT LOCK LTS	.....	A-B 36
SEAT BELT REMINDER	.....	A 36
SEAT HEATER SYS (DUAL)	.....	B-C 36-37
SEAT HEATER SYS (SINGLE OUTPUT)	.....	A 38-39
SHIFT LOCK SYS	.....	E 31
SRS SYS	.....	C-D 31
STARTER	.....	B-C 2
STOP LT SW	.....	D 28
SUNROOF SYS	.....	E 40-41
TRANSIENT SURGE PROTECTOR	.....	B 28
TRUNK LT	.....	D-E 41-42
WIPER MOTOR	.....	D 3
WIPER/WASHER SW	.....	C 27



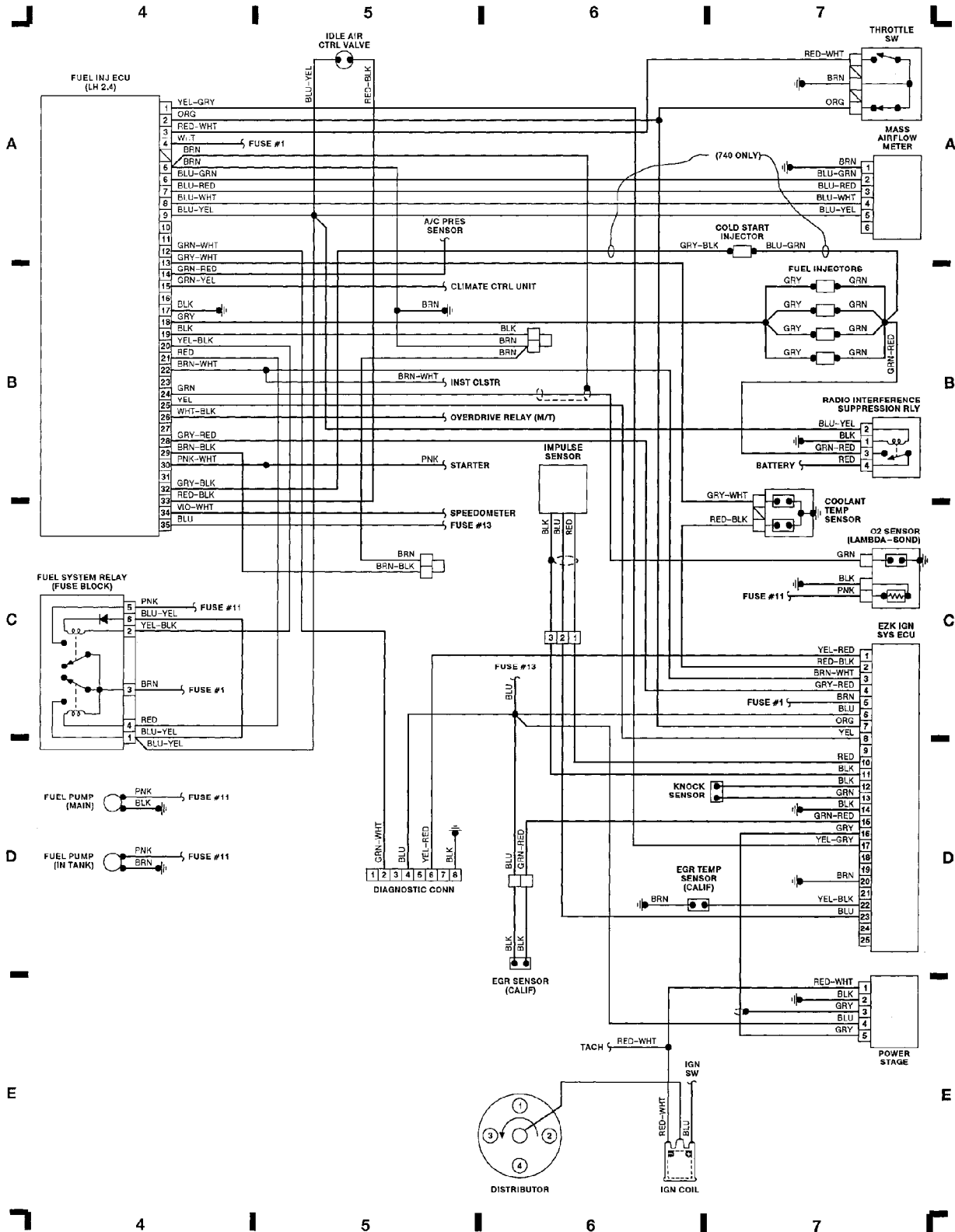
# WIRING DIAGRAMS

## Fig. 2: Computer Engine Control (Calif.) (Grids 4-7)

1991 Volvo 740

For x

Copyright © 1998 Mitchell Repair Information Company, LLC  
Friday, July 23, 2004 10:15PM



# WIRING DIAGRAMS

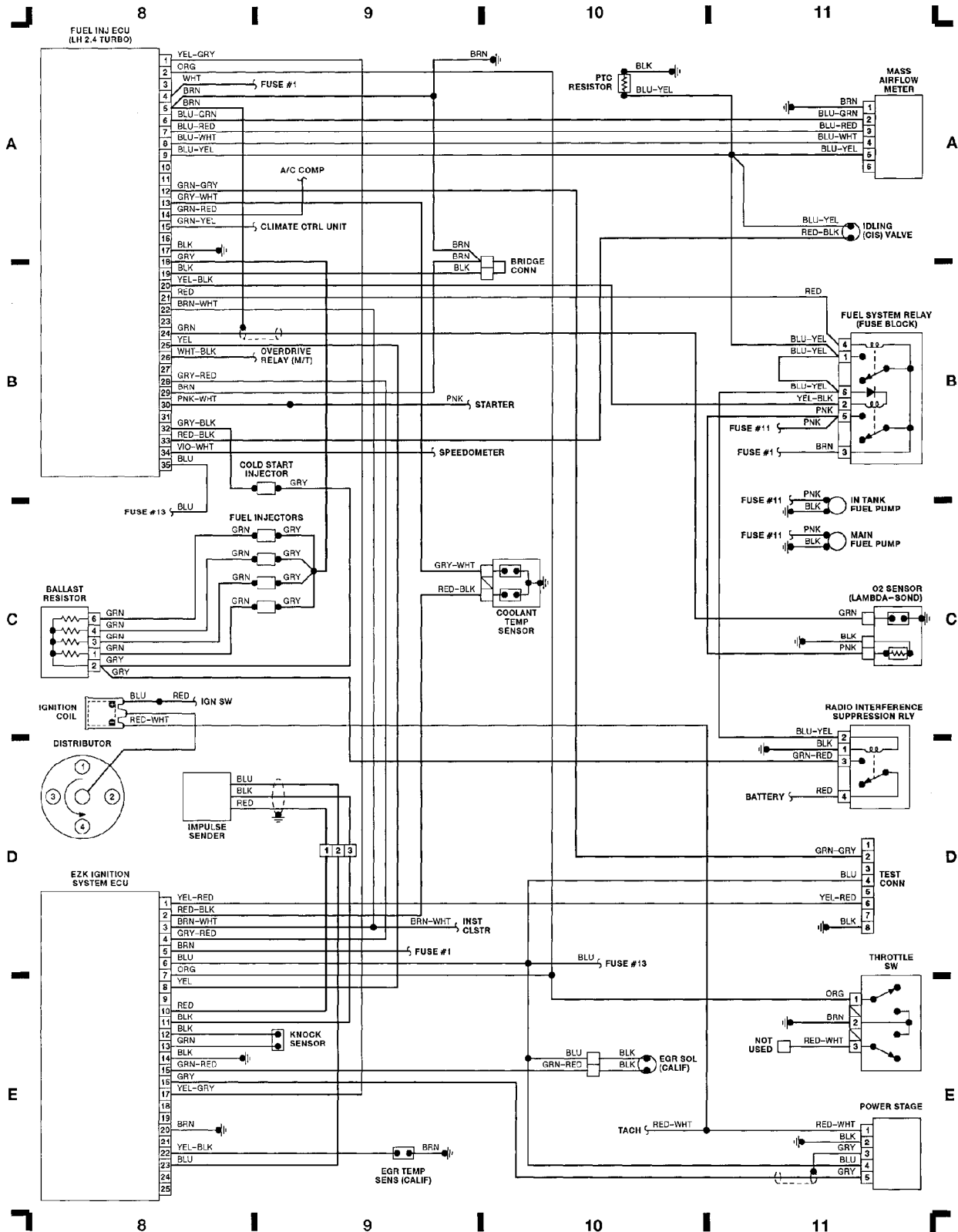
## Fig. 3: Computer Eng Control (Turbo) (Grids 8-11)

1991 Volvo 740

For x

Copyright © 1998 Mitchell Repair Information Company, LLC

Friday, July 23, 2004 10:15PM

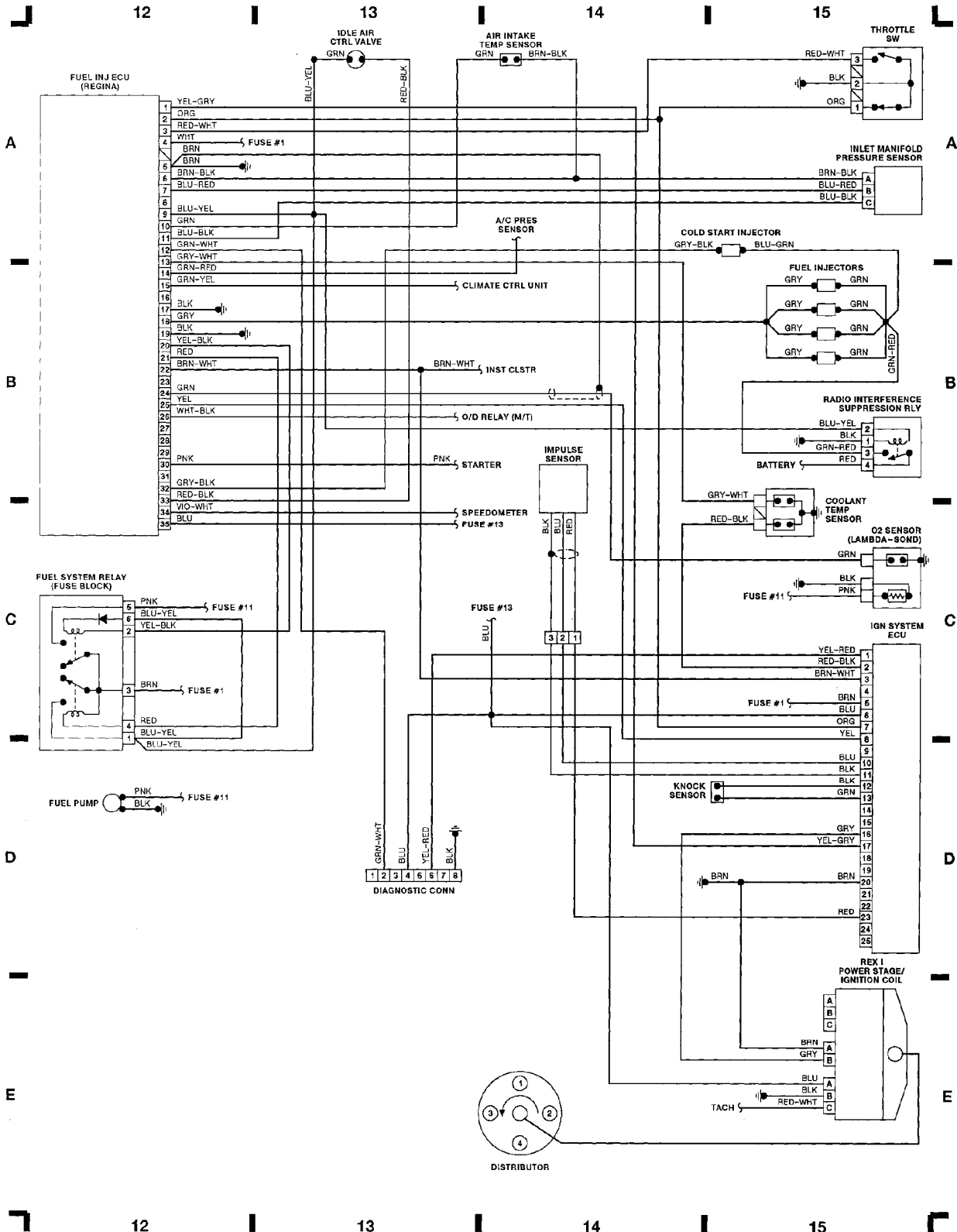


# WIRING DIAGRAMS

## Fig. 4: Computer Eng Control (Regina) (Grids 12-15)

### 1991 Volvo 740

For x  
Copyright © 1998 Mitchell Repair Information Company, LLC  
Friday, July 23, 2004 10:15PM



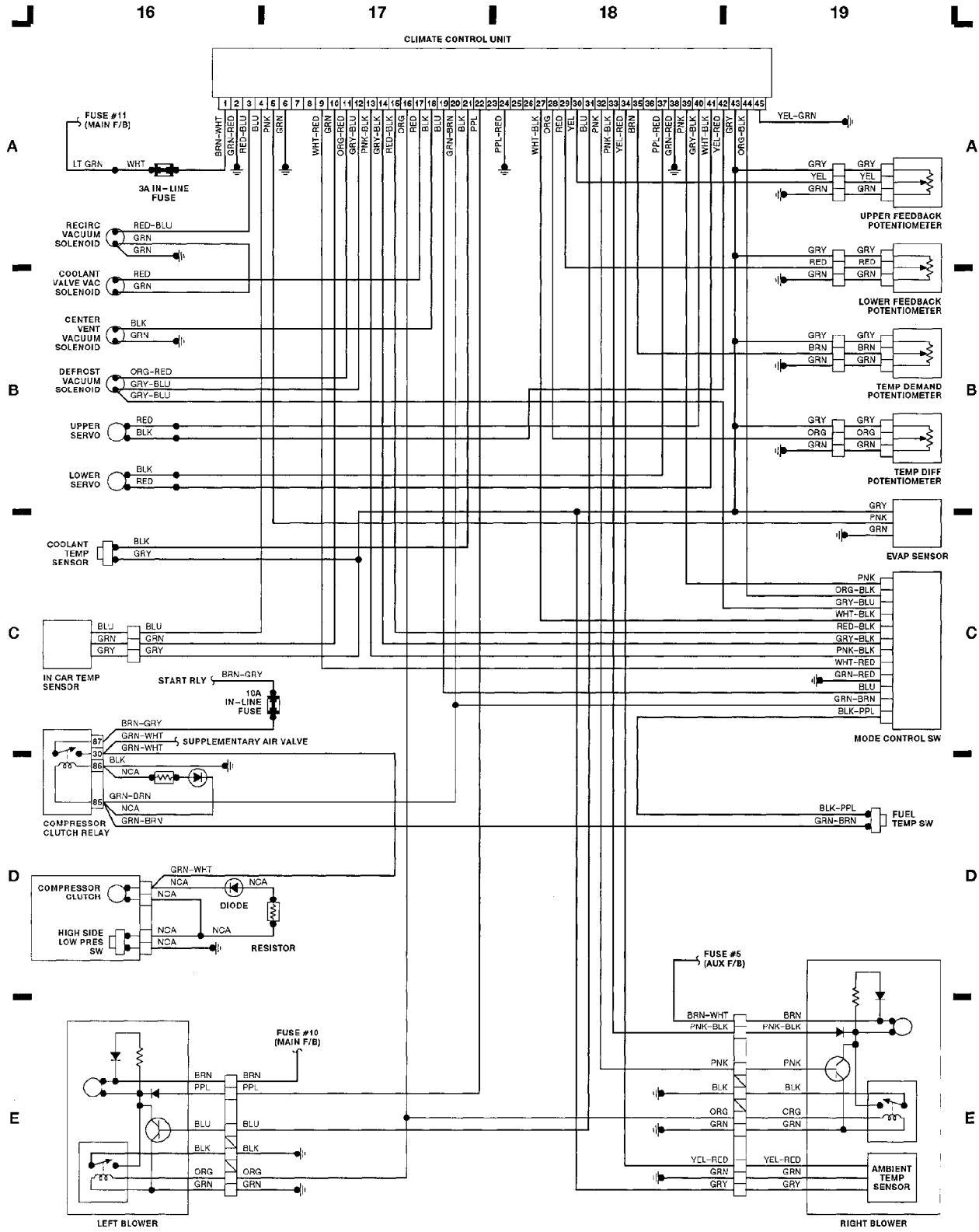
# WIRING DIAGRAMS

## Fig. 5: A/C System (Grids 16-19)

1991 Volvo 740

For x

Copyright © 1998 Mitchell Repair Information Company, LLC  
Friday, July 23, 2004 10:15PM





# WIRING DIAGRAMS

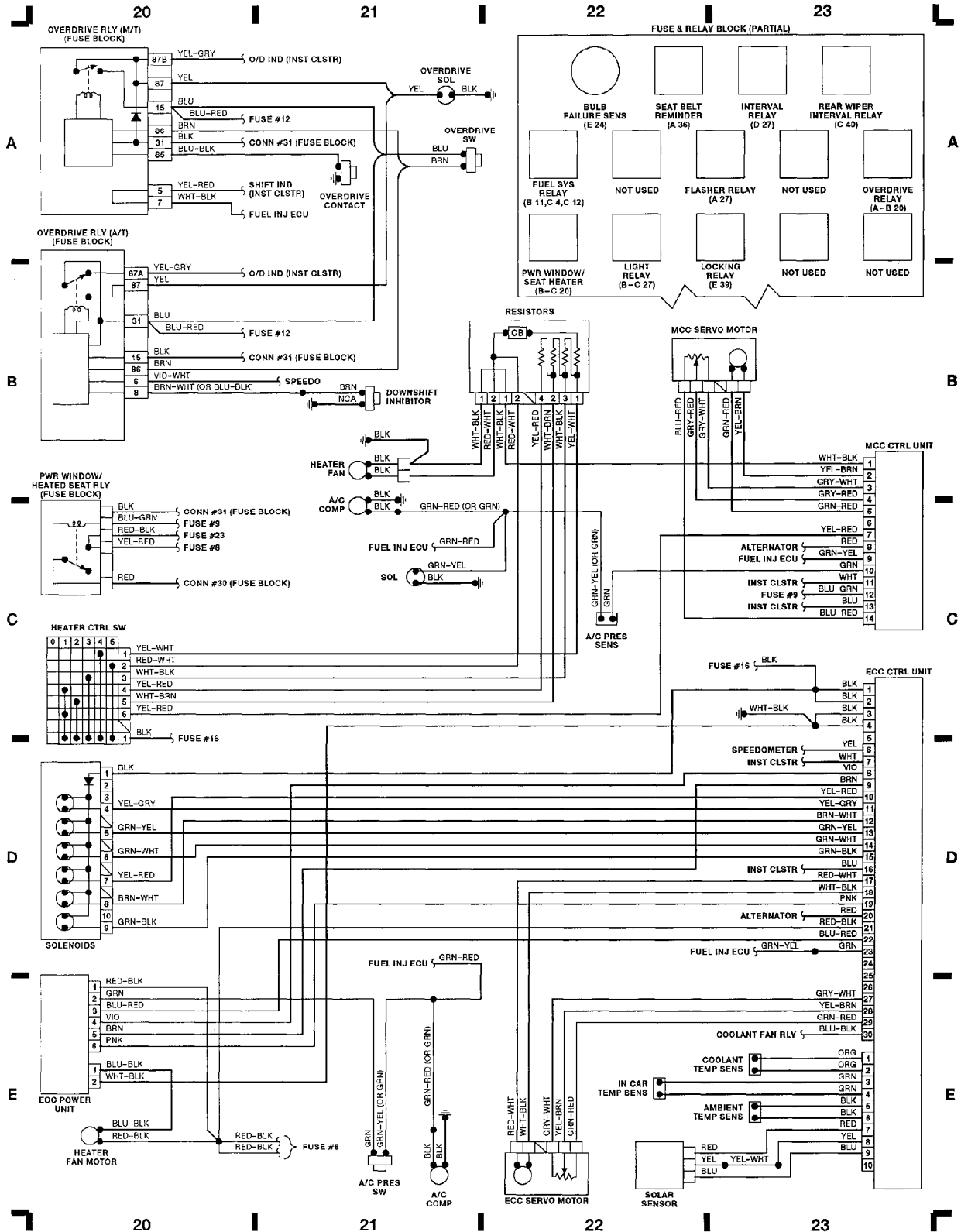
## Fig. 6: ECC Ctrl Unit, MCC Ctrl Unit (Grids 20-23)

1991 Volvo 740

For x

Copyright © 1998 Mitchell Repair Information Company, LLC

Friday, July 23, 2004 10:15PM



# WIRING DIAGRAMS

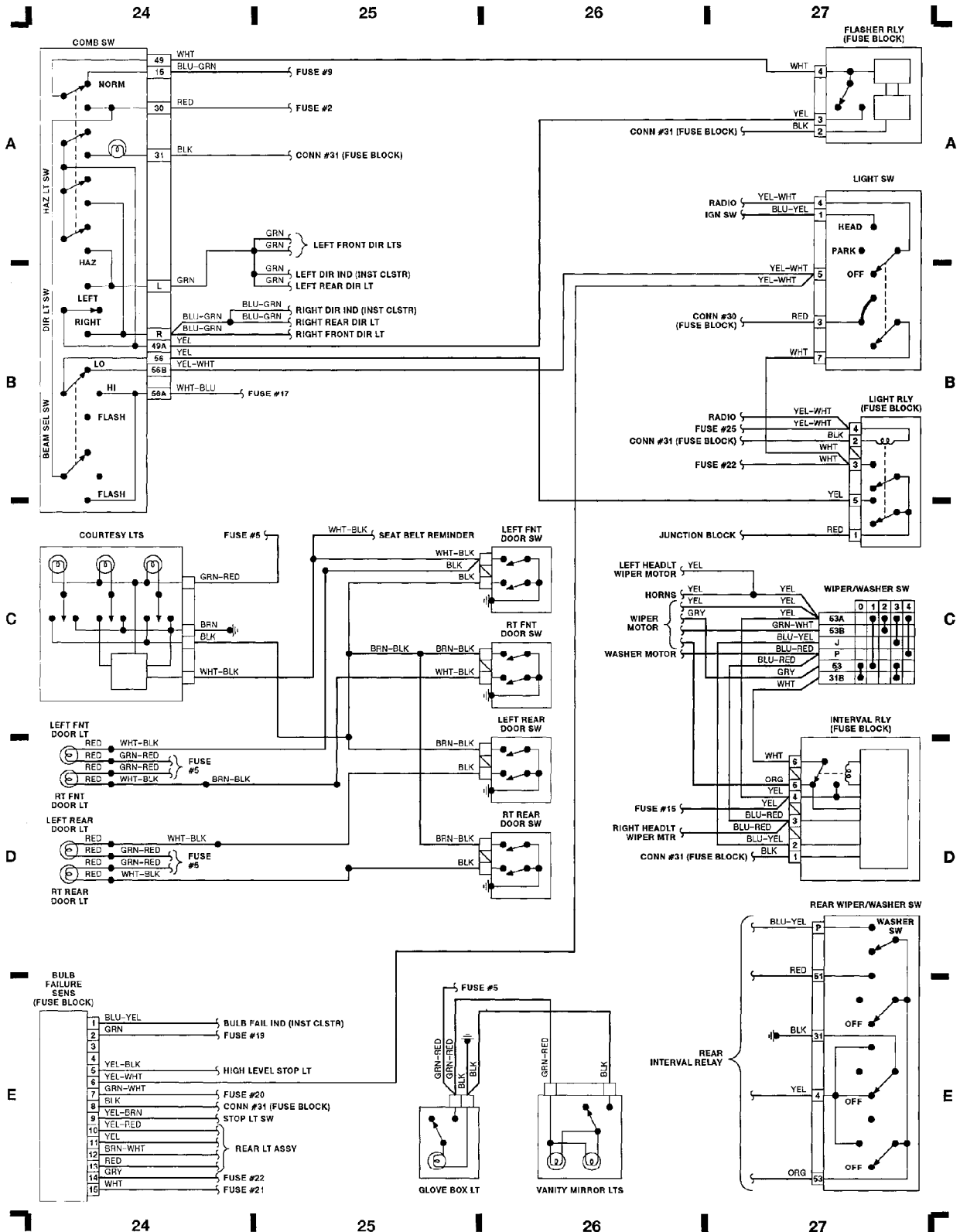
## Fig. 7: Comb Sw, Wiper/Washer Sw, Courtesy Sw (Grids 24-27)

1991 Volvo 740

For x

Copyright © 1998 Mitchell Repair Information Company, LLC

Friday, July 23, 2004 10:15PM



# WIRING DIAGRAMS

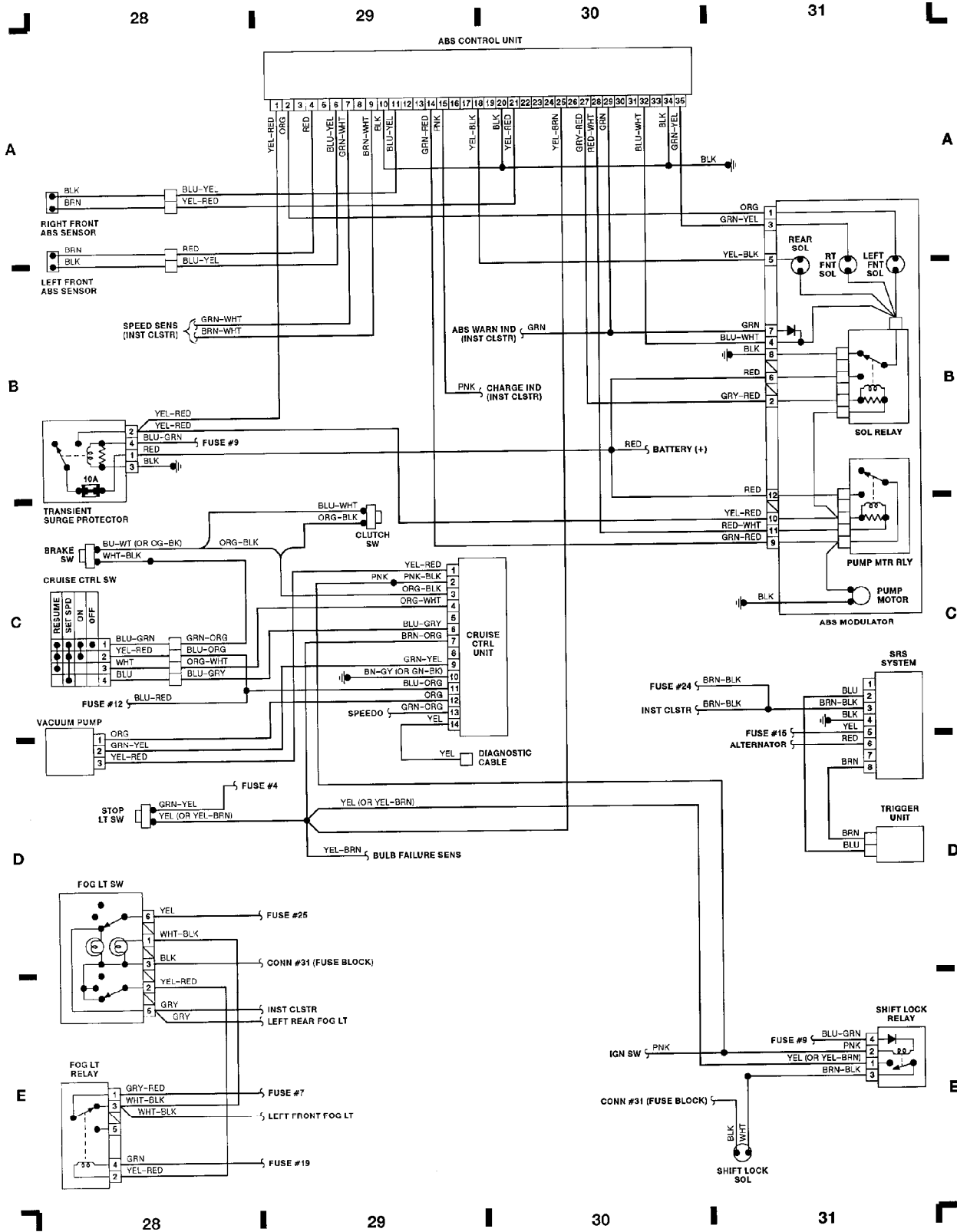
## Fig. 8: ABS Ctrl, Cruise Ctrl, Trans Surge Protector (Grids 28-31)

1991 Volvo 740

For x

Copyright © 1998 Mitchell Repair Information Company, LLC

Friday, July 23, 2004 10:15PM



# WIRING DIAGRAMS

## Fig. 9: Inst Cluster, Rheostat (Grids 32-35)

1991 Volvo 740

For x

Copyright © 1998 Mitchell Repair Information Company, LLC

Friday, July 23, 2004 10:15PM

